

DF 100 MA SERIES – PLOUGH

HEADSTOCK

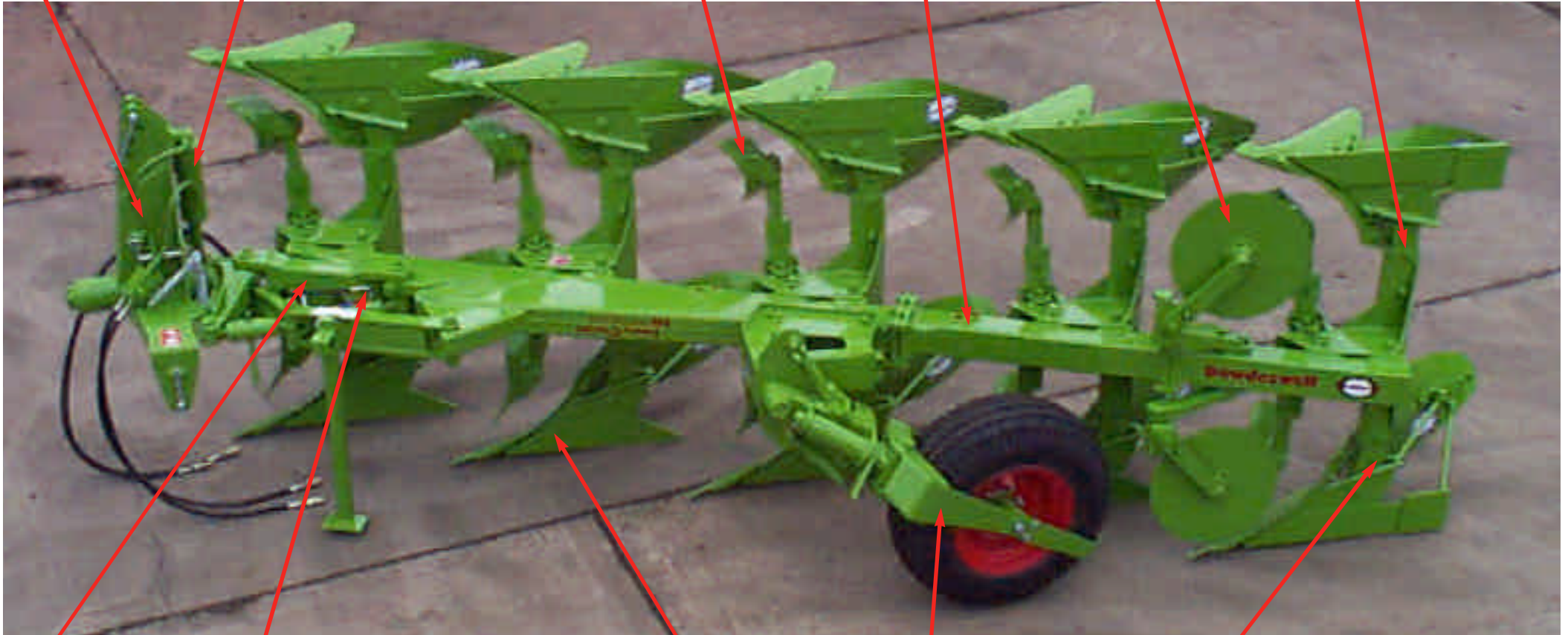
TURNOVER
HYDRAULICS

SKIM
ASSEMBLY

BEAM
ASSEMBLY

DISC
ASSEMBLY

LEG



PARALLEL LINK
ASSEMBLY

OFFSET
HYDRAULICS

PLOUGH
BODY

WHEEL
ASSEMBLY

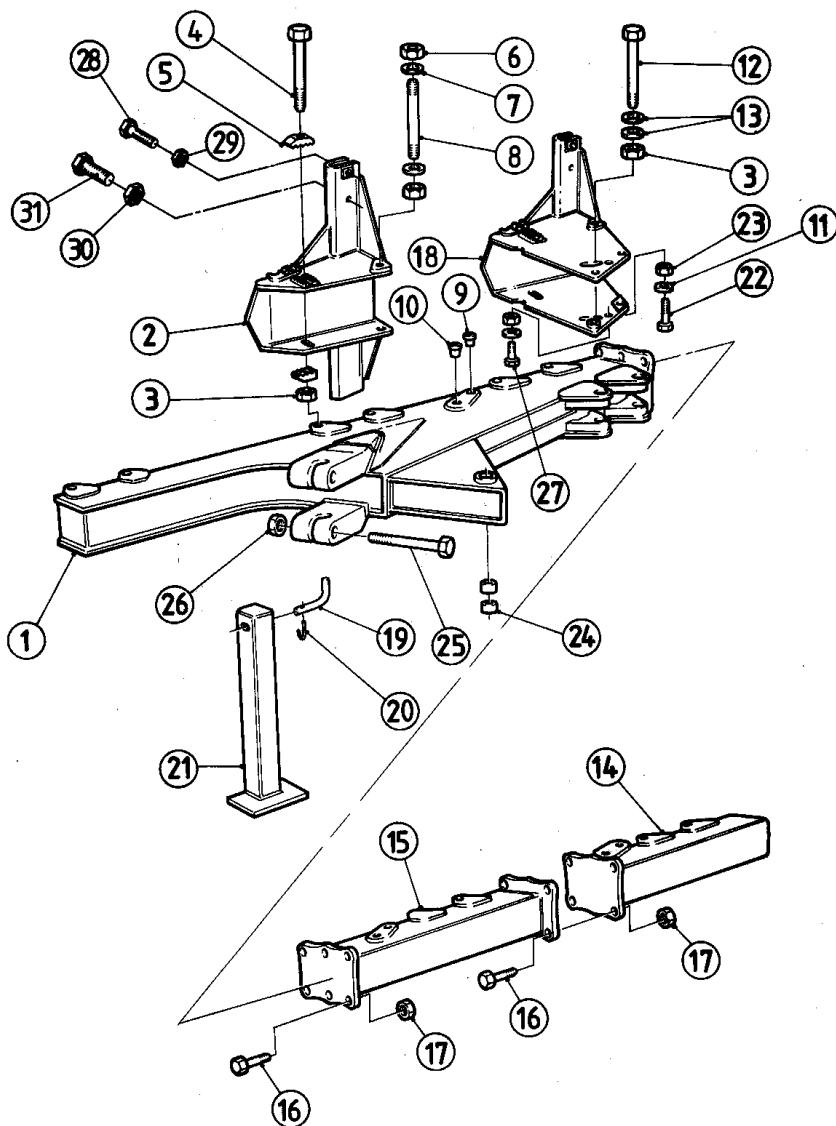
LEG SHEARBOLT



PLOUGH SELECTION

Dowdeswell

DF 100 MA SERIES – BEAM ASSEMBLY



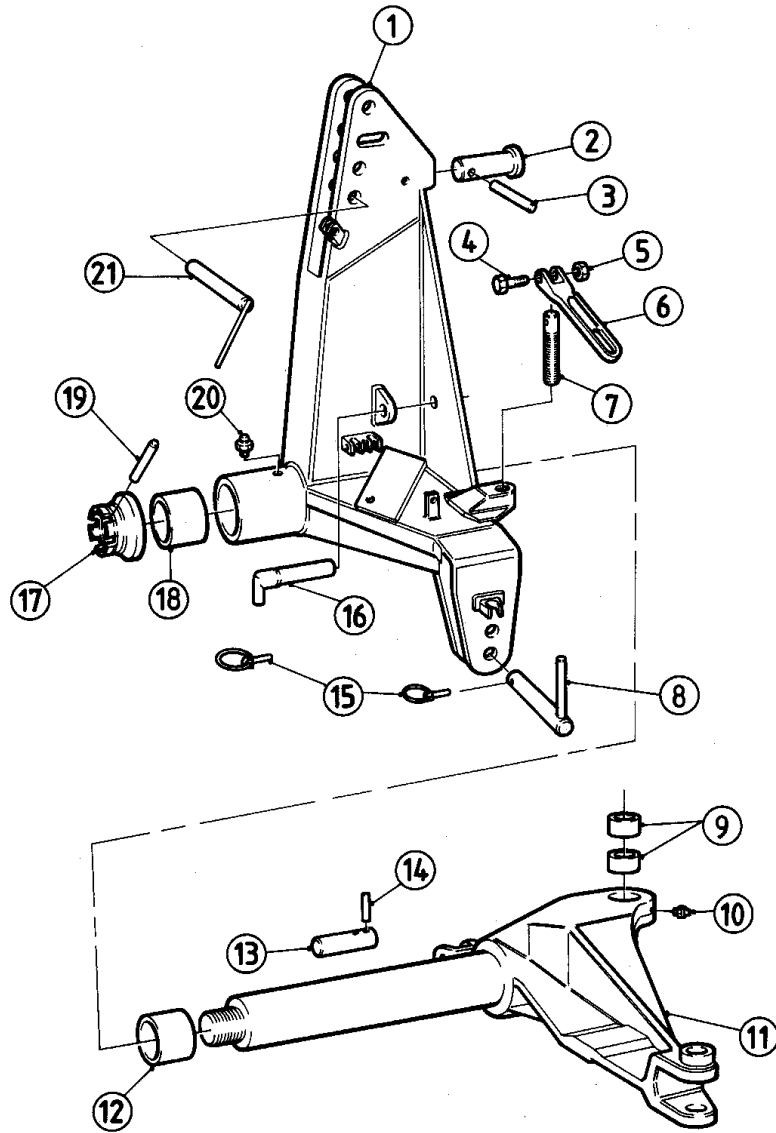
ITEM	PART NO.	DESCRIPTION	QTY.
1	-	3 Furrow Beam 36" Point to Point	1
2	1139400	Shearbolt Leg 36" Point to Point 12" - 18"	-
3	900785	Self Locking Nut M20	1 per leg
4	902252	Special Bolt M20	1 per leg
5	1022700	Serrated Washer	2 per leg
6	900786	Self Locking Nut M24	2 per leg
7	901610	Washer DIA 24	2 per leg
8	1069600	Stud DIA 24	1 per leg
9	902263	Plastic Plug	-
10	902261	Plastic Plug	-
11	901613	M12 plain Washer	6
12	901121	Bolt M20 x 200	1
13	901619	Special Washer	2
14	1104200	Extension Beam S/F 36" Point to Point	-
15	1104100	Extension Beam D/F 36" Point to Point	-
16	900961	Bolt 5/8" UNF x 2 3/4"	-
17	900116	Self Locking Nut 5/8" UNF	-
18	1139700	Wheel & Shearbolt Leg 34" P to P 12" - 18"	1
19	012500	Retaining Peg	1
20	900521	'R' Type Grip Clip	1
21	091100	Medium Stand	1
-	250800	Short Stand	1
22	901309	Setscrew M12 x 35	4
23	900783	Self Locking Nut M12	6
24	900347	Plain Bearing	2
25	902772	Bolt M24 x 120 Fine Thread	2
26	902322	Self Locking Nut M24 Fine Thread	2
27	901308	M12 x 30 Setscrew	2
28	900486	Leg Shear Bolt (Red)	-
29	900496	Plain Nut 5/8" UNC	-
30	900107	Plain Nut 3/4" UNF	-
31	900052	Bolt 3/4" UNF x 2 3/4"	-
N/S	1120400	Decal Furrow Width 12" - 18"	2



PLOUGH ASSEMBLY

Dowdeswell

DF 100 MA SERIES – HEADSTOCK



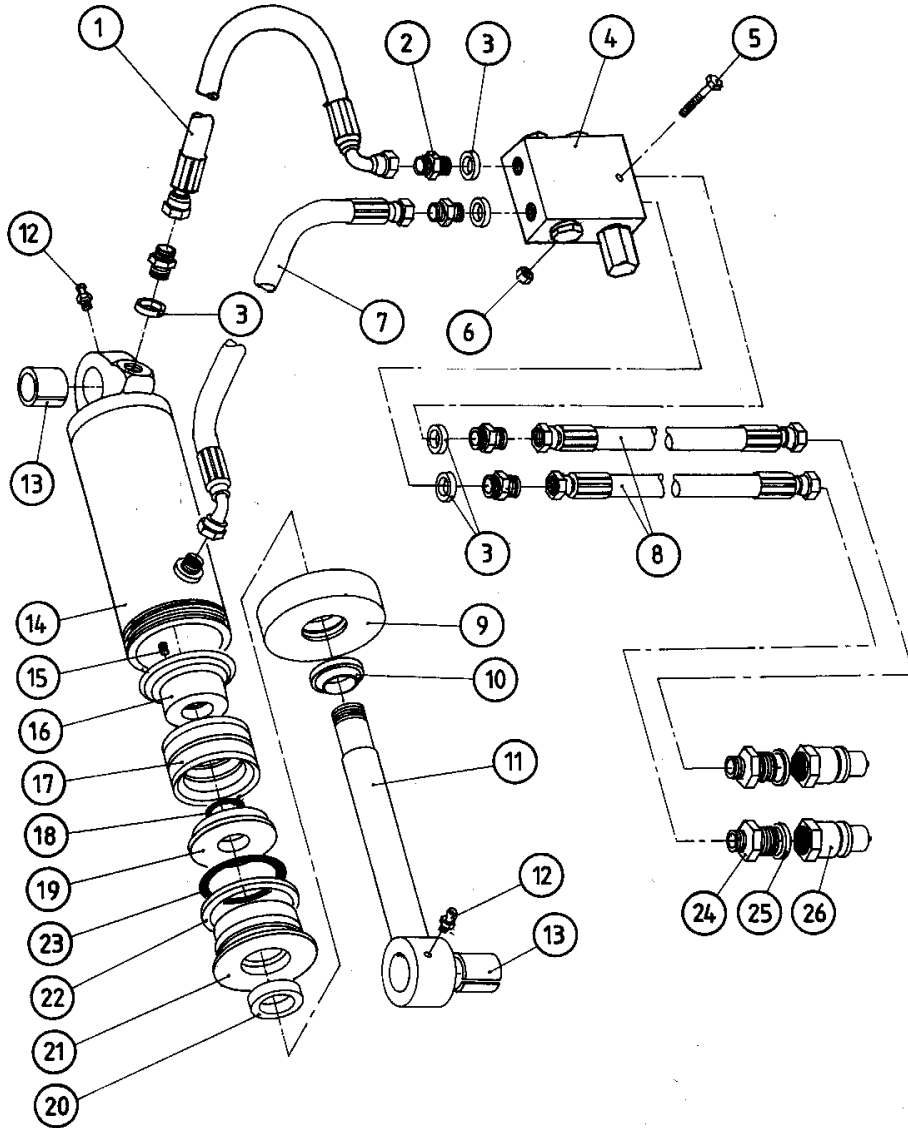
ITEM	PART NO.	DESCRIPTION	QTY.
1	1100800	Headstock	1
2	161900	Top Ram Pin	1
3	900542	Spring Pin 10 x 60	1
4	900027	Bolt 3/8" UNF x 2 1/2"	2
5	900115	Self Locking 3/8" UNF	2
6	1156300	Handle	2
7	1027100	Stud	2
7A	1280800	Stud 30mm Fine	-
7B	1320500	Stud 1 1/4" UNC	-
8	1105400	Bottom Link Pin	2
9	900383	Internal Tension Bush	2
10	900431	Grease Nipple 1/4" UNF Straight	1
11	1065600	Turnover Arm Assy.	1
12	900353	Bush	1
13	1073000	Lower Ram Pin	1
14	900559	Spring Pin 8 x 50	1
15	900527	Linch Pin	5
16	161600	Transport Pin	2
17	1070000	Pulling Nut	1
18	900353	Bush	1
19	900290	Spring Pin 1/2" x 3 1/2"	1
20	900431	Grease Nipple 1/4" UNF Straight	1
21	145800	Top Link Pin	1



PLOUGH ASSEMBLY

Dowdeswell

DF 100 MA SERIES – TURNOVER HYDRAULICS



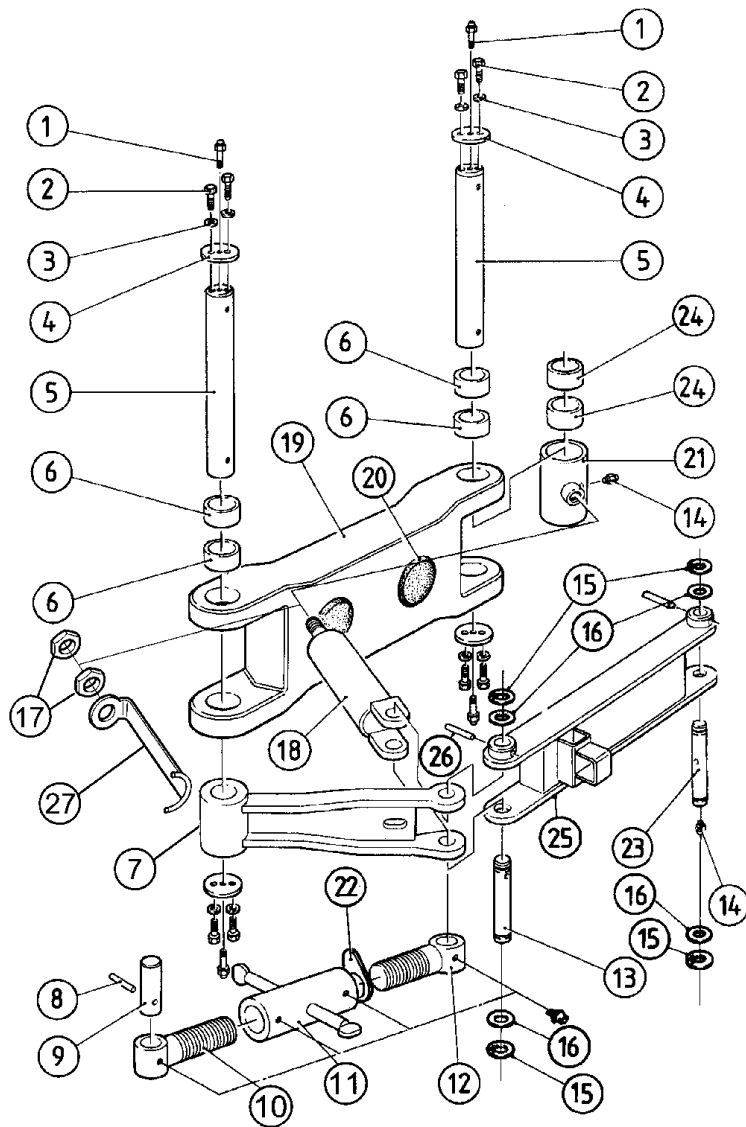
ITEM	PART NO.	DESCRIPTION	QTY.
1	1092500	Hose Assembly (23")	1
2	900391	Adapter 3/8" BSP	4
3	900301	Dowty Washer 3/8" BSP x 0.08	5
4	265800	Turnover Valve V581	1
5	901043	Bolt M10 x 70	1
6	900782	Self Locking Nut M10	1
7	043000	Hose Assembly (23")	1
8	008400	Hose Assembly (56")	2
9	006600	End Cap	1
10	900261	Wiper Seal	1
11	018700	Piston Rod	1
12	900431	Grease Nipple	2
13	900373	Internal Tension Bush	2
14	161800	Ram Tube	1
15	900151	Grub Screw	1
16	006300	Piston	1
17	900241	Double Acting Seal	1
18	900201	'O' Ring	1
19	006400	Piston Annulus	1
20	900221	Single Acting Seal	1
21	006500	End Plug	1
22	900801	Back-up Ring	1
23	900203	'O' Ring	1
24	900392	Adapter 1/2" x 3/8" BSP	2
25	900302	Dowty Washer 1/2" BSP 0.08	2
26	900611	Male Quick Coupler	2
-	161700	Ram Assembly (Items 9-23 incl.)	-
-	052500	Ram Seal Set	-
-	1021500	Valve Repair Kit	-
-	1250400	Valve Repair Kit	-



PLOUGH ASSEMBLY

Dowdeswell

DF 100 MA SERIES – PARALLEL LINK ASSEMBLY



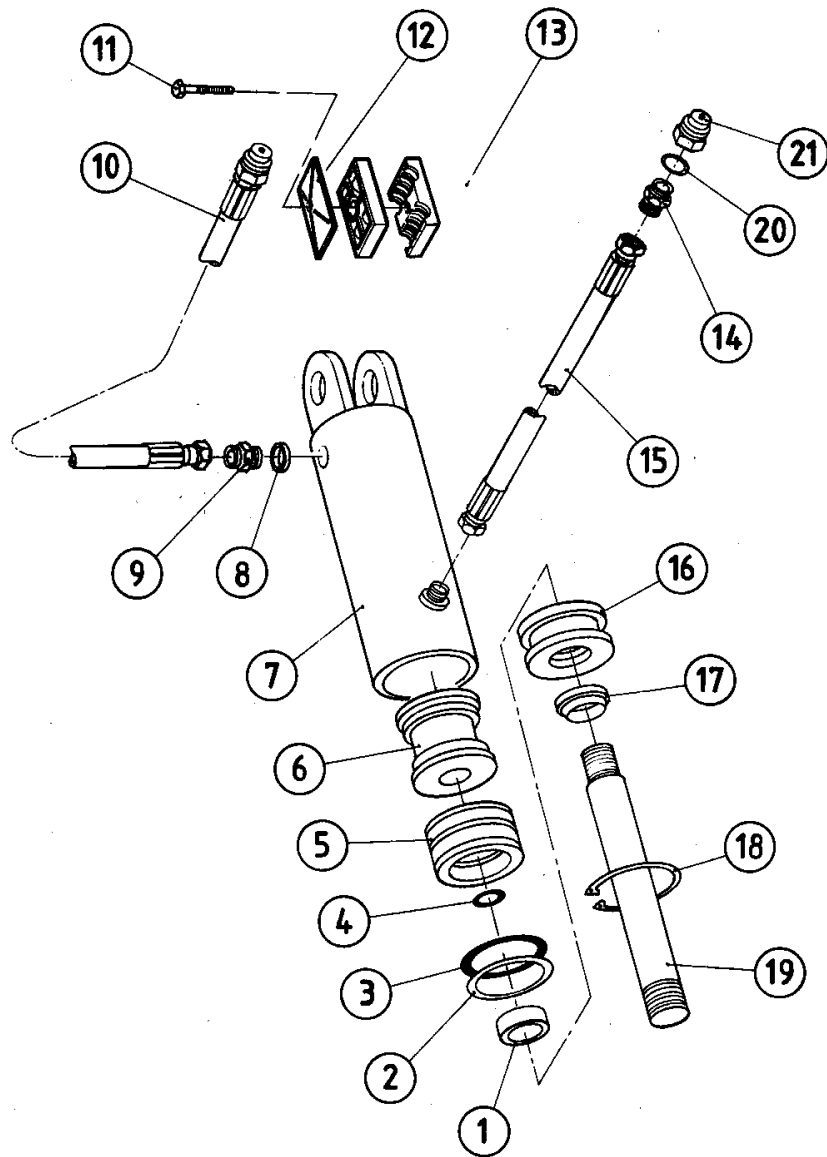
ITEM	PART NO.	DESCRIPTION	QTY.
1	900439	Grease Nipple 1/4" UNF x 1 1/8" Straight	4
2	901308	Setscrew M12 x 30	8
3	901189	Spring Washer M12	8
4	1077100	Special Washer	4
5	1065500	Pin	2
6	900382	Bush	4
7	1064900	Cross Link	1
8	900551	Spring Pin 8 x 40	1
9	1065300	Pin	1
10	1065700	Adjuster Screw LH	1
11	1065900	Turnbuckle	1
12	1065800	Adjuster Screw RH	1
13	1318200	Non Greaseable Pin	1
-	1250500	Non Greaseable Pin (Pre Feb 1997)	-
14	900431	Grease Nipple 1/4" UNF Straight	6
15	900609	Circlip	4
16	900793	Special Washer	4
17	901983	Lock Nut M24	2
18	1092000	Offset Ram	-
19	1064700	Main Lift Arm	1
20	1163700	Rubber Bung	2
21	1068300	Piston Extension	1
22	1125000	Lock Nut	1
23	1318300	Greaseable Pin	1
-	1250600	Greaseable Pin (Pre Feb 1997)	-
24	900360	Bush	2
25	1316600	Parallel Link	1
-	1064800	Parallel Link (Pre Feb 1997)	-
26	900559	Spring Pin 8 x 50	2
27	1380600	Position Marker	1



PLOUGH ASSEMBLY

Dowdeswell

DF 100 MA SERIES – OFFSET HYDRAULICS



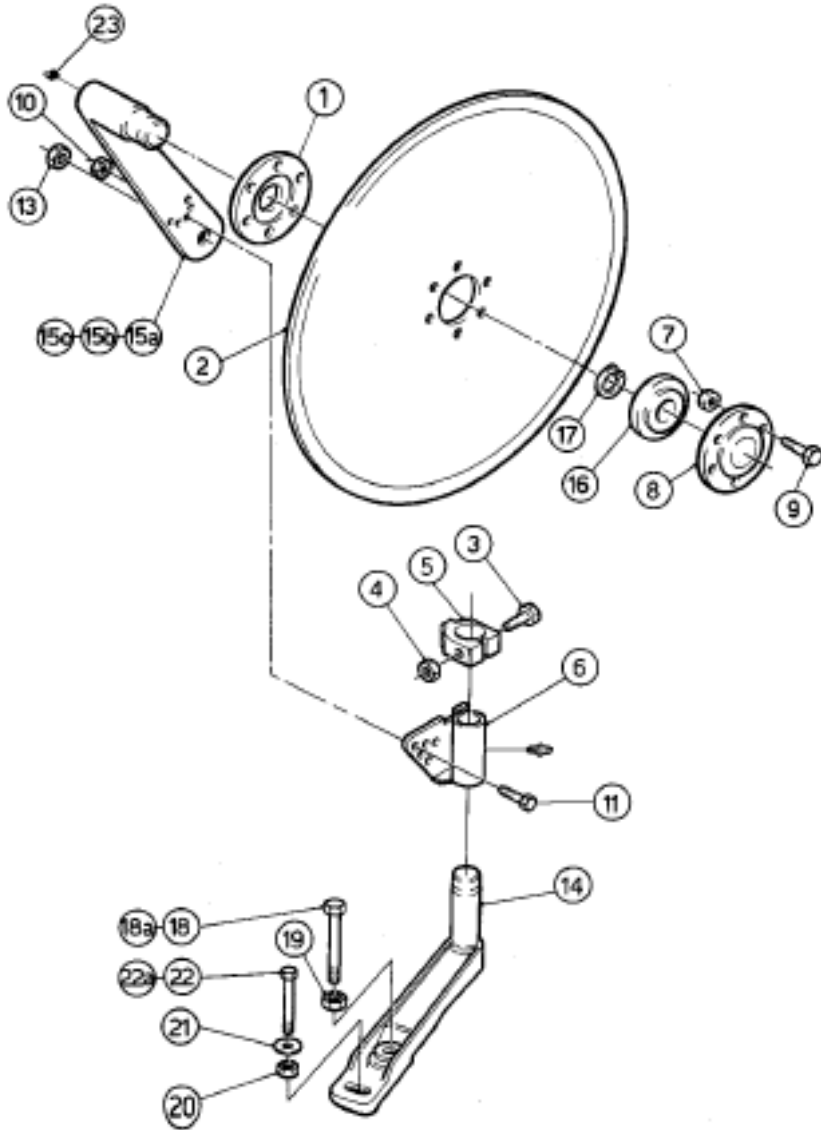
ITEM	PART NO.	DESCRIPTION	QTY.
1	900225	Single Acting Seal	1
2	900805	Back Up Ring	1
3	900210	'O' Ring	1
4	900209	'O' Ring	1
5	900246	Double Acting Seal	1
6	148300	Piston	1
7	1091900	Tube	1
8	900301	Dowty Washer	1
9	900391	Adapter 3/8" BSP	1
10	1105000	Hose Assembly (132")	1
11	901022	Bolt M8 x 35	2
12	901826	Cover	2
13	901803	Hose Clamp	4
14	900392	Adapter	2
15	1105000	Hose Assembly (132")	1
16	148200	Bung	1
17	900263	Ram Wiper	1
18	900722	Internal Circlip	1
19	1092100	Piston Rod	1
20	900302	Dowty Washer	2
21	900611	Coupling	2
-	151600	Ram Seal Kit	-
-	1092000	Ram Assembly	-



PLOUGH ASSEMBLY

Dowdeswell

DF 100 MA SERIES – DISC ASSEMBLY



ITEM	PART NO.	DESCRIPTION	QTY.
1	055000	Bearing Housing (Inner)	1
2	052800	Disc 18" Plain	-
2a	053000	Disc 20" Plain*	-
2b	063800	Disc 18" Cutaway	-
2c	051400	Disc 20" Cutaway*	-
3	901073	Bolt M12 x75	1
4	900783	Nylock Nut M12	1
5	1100400	Disc Clamp	1
6	1138198	Disc Swivel RH	1
-	1138199	Disc Swivel LH	1
7	900781	Self Locking Nut M8	6
8	054900	Bearing Housing (Outer)	1
9	901263	Setscrew M8 x 30	6
10	900105	Nut 1/2" UNF	1
11	900488	Shearbolt	1
13	900107	Plain Nut 3/4" UNF	1
14	1305600	Disc Support Arm	1
15A	1100200	Disc Arm 18"	-
15B	1104800	Disc Arm 20"	-
15C	1099500	Disc Arm Short	-
16	900324	Ball Bearing	1
17	900601	Circlip External	1
18	901124	Bolt M20 x 240 (100 SRS Only)	-
18A	901126	Bolt M20 x 260 (120, 160, 220 SRS Only)	-
18B	901130	Bolt M20 x 300 (180, 250 SRS Only)	-
19	900785	Self Locking Nut M20	1
20	900784	Self Locking Nut M16	1
21	902954	Special Washer M16	2
22	901100	M16 x 220 (100 SRS Only)	-
22A	901102	M16 x 240 (120, 160, 220 SRS Only)	-
22B	901104	M16 x 280 (180, 250 SRS Only)	-
23	900431	Grease Nipple (Straight)	1

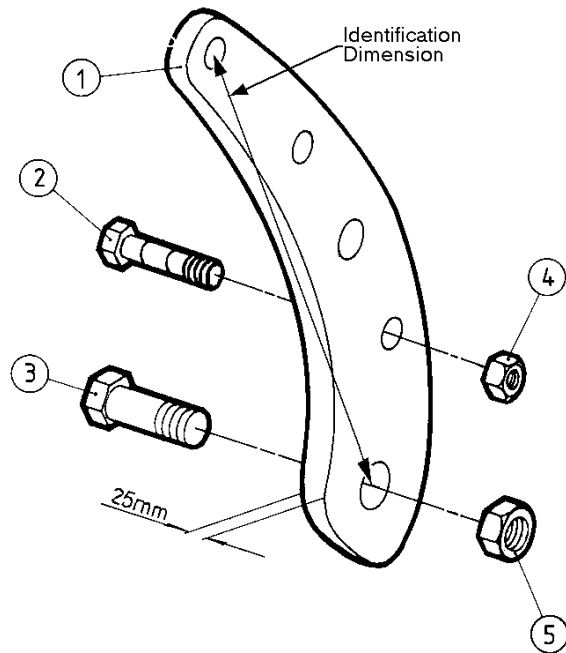
NB. 20" discs can only be fitted to 20" arms.



PLOUGH ASSEMBLY

Dowdeswell

DP 8, DF 100 & ALL RESET PLOUGH LEGS



UNDERBEAM CLEARANCE (Inches)

DP8, DP5 LS	DF 100 MA	RESET	BODY TYPE	PART NO	I.D Dimension
27.25	28.50		DD/DDS	146398	496mm
28.75		27.00	DD/DDS	183800	532mm
26.25	28.00		UCN/SCN	146398	496mm
28.00		26.50	UCN/SCN	183800	532mm
26.50	28.00	25.50	YCN	315300	531
	26.5		YCN	1078200	484mm
-			M-Slatt	-	-

DF 100 HA UNDERBEAM CLEARANCE (Inches)

		BODY TYPE	PART NO	I.D Dimension
28.50		DD/DDS	1135700	472mm
28.00		UCN/SCN	1135700	472mm
28.00		YCN	1135900	493mm

Leg Pivot and Shear Bolts. All 'A' Items Are For DF 100 HA.

ITEM	PART NO	DESCRIPTION	QTY./LEG
2	-	Leg Shear Bolt	-
2A	-	Leg Shear Bolt	-
3	900052	Bolt 3/4" UNF x 2 3/4"	1
3A	902771	Bolt M24 x 80 (Special)	1
4	900496	Nut 5/8" UNC	1
4A	900774	Plain Nut M16	1
5	900109	Nut 1" UNF	1
5A	902332	Plain Nut M24 (Special)	1



PLOUGH ASSEMBLY

Dowdeswell

SHEARBOLTS

