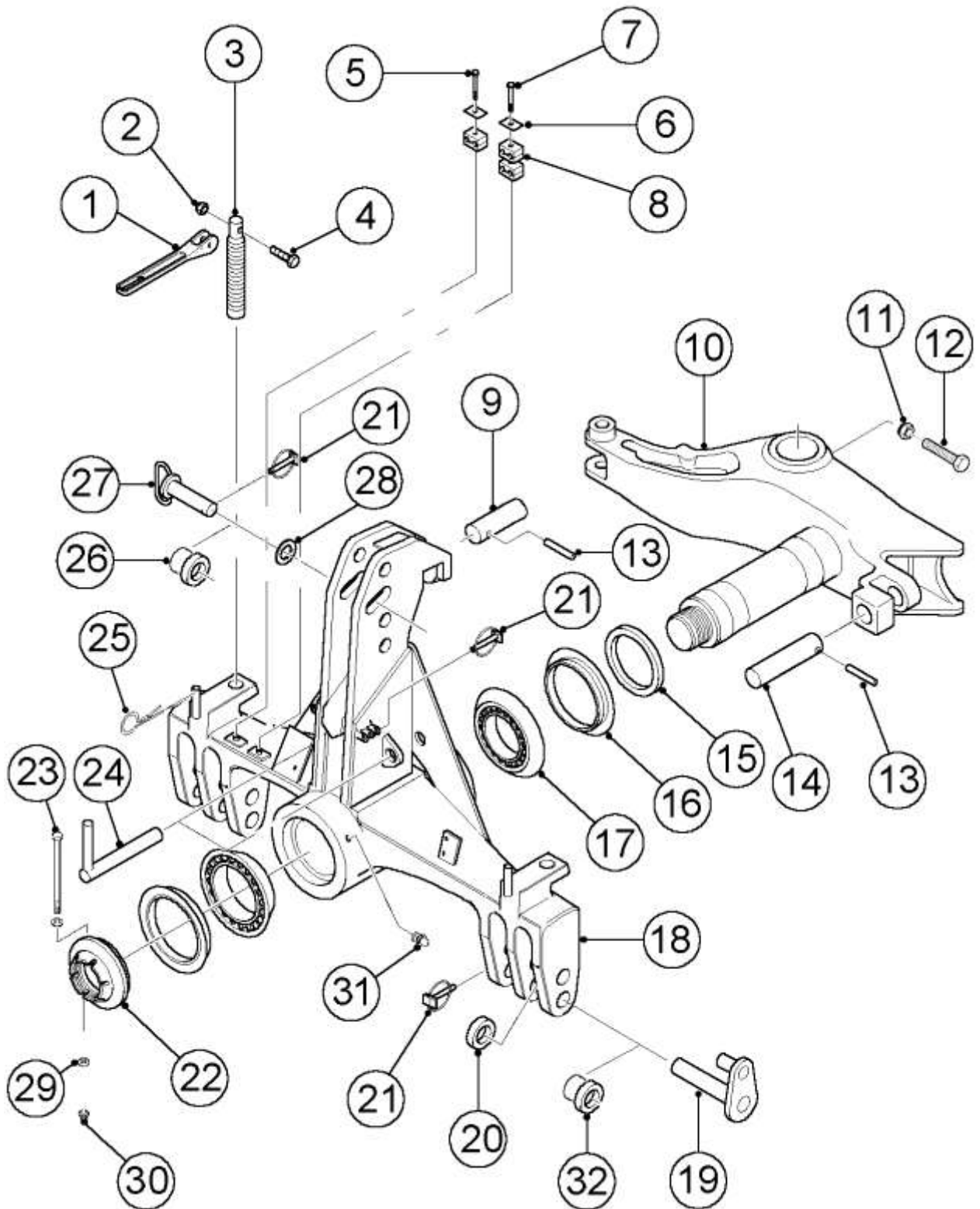


Parts
Manual
125 Series
MA

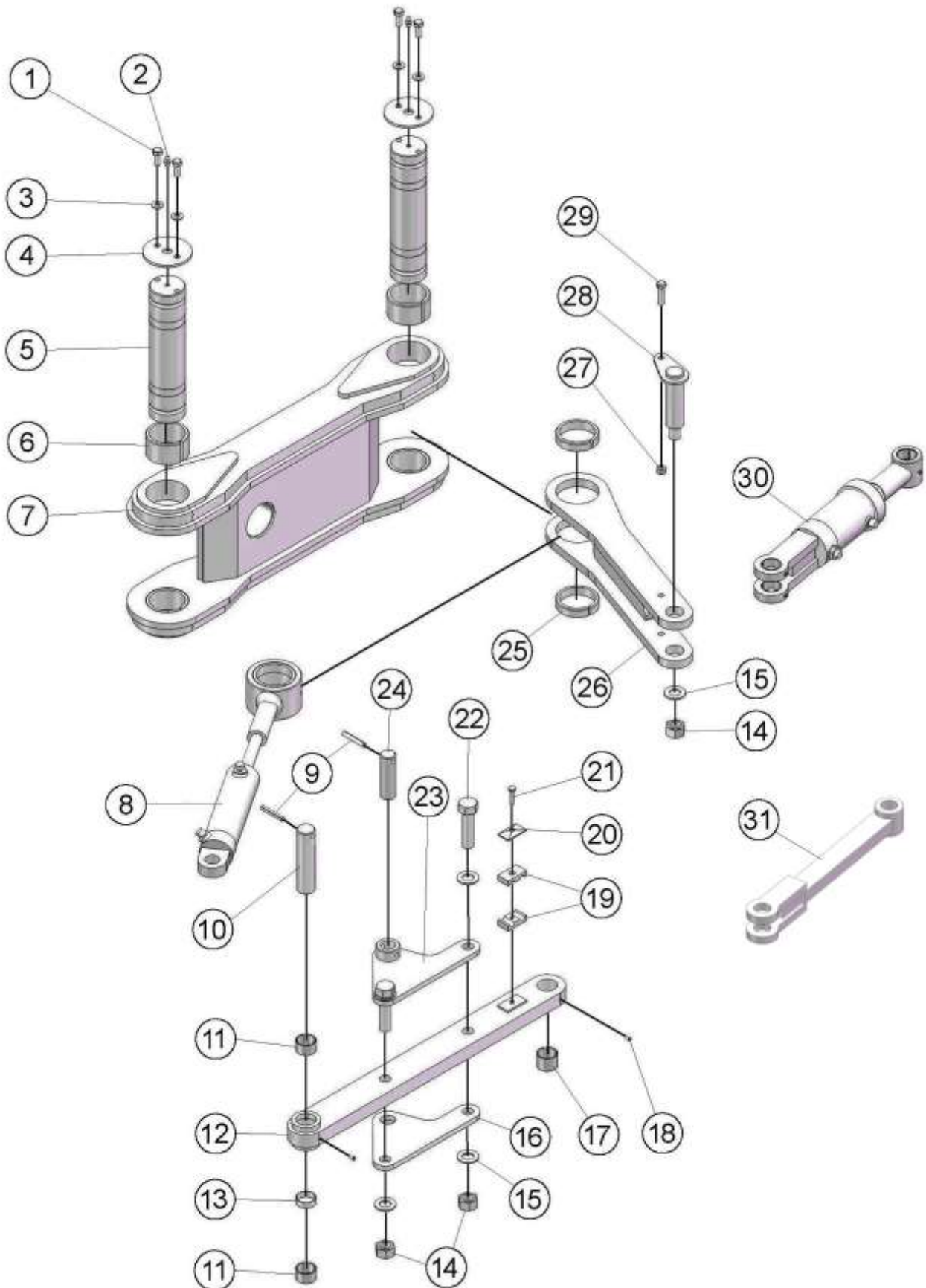
HEADSTOCK ASSEMBLY



HEADSTOCK ASSEMBLY

| ITEM | PART N° | DESCRIPTION | QTY |
|------|---------|-------------------------------------|-----|
| 1 | 1156300 | Handle | 2 |
| 2 | 900115 | Self Locking Nut 3/8" UNF | 2 |
| 3 | 1320500 | Verticality Screw | 2 |
| 4 | 900027 | Bolt 3/8" UNF x 2 1/2" | 2 |
| 5 | 901022 | Bolt M8 x 35 | 1 |
| 6 | 901826 | Cover Plate | 2 |
| 7 | 901027 | Bolt M8 x 60 | 1 |
| 8 | 901802 | Hose Clamp (As Half) | 6 |
| 9 | 1515400 | Top Ram Pin | 1 |
| 10 | 1594200 | Turnover Arm | 1 |
| 11 | 901981 | Locking Nut M16 | 2 |
| 12 | 903494 | Setscrew M16 x 80 | 2 |
| 13 | 900542 | Spring Pin 10x 60 | 2 |
| 14 | 1373300 | Bottom Ram Pin | 1 |
| 15 | 1485000 | Bearing Butt Ring | 1 |
| 16 | 901536 | Seal | 2 |
| 17 | 901529 | Bearing | 2 |
| 18 | 1594000 | Headstock | 1 |
| 19 | 1362000 | Lower Link Pin (Cat 3) | 2 |
| 19a | 1544700 | Lower Link Pin (Cat 2/3) | - |
| 20 | 1275100 | Spacer Ring | 2 |
| 21 | 900527 | Linch Pin | 5 |
| 22 | 1485500 | Pulling Nut | 1 |
| 23 | 901080 | Bolt M12 x 140 | 1 |
| 24 | 1482900 | Headstock Transport Latch | 2 |
| 25 | 900521 | 'R' Clip | 2 |
| 26 | 1588400 | Top Link Reducer Sleeve (Cat3-2) | 1 |
| 27 | 1362100 | Top Link Pin (Cat 3) | 1 |
| 27a | 1588300 | Top Link Pin (Cat 2) | |
| 28 | 900185 | Plain Washer 1 1/4" (Cat 3 Only) | 1 |
| 29 | 901189 | M12 Plain Washer | 2 |
| 30 | 900783 | M12 Nyloc Nut | 1 |
| 31 | 900431 | Grease Nipple 1/4" UNF | 2 |
| 32 | 1544800 | Bottom Link Reducer Sleeve (Cat3-2) | 2 |

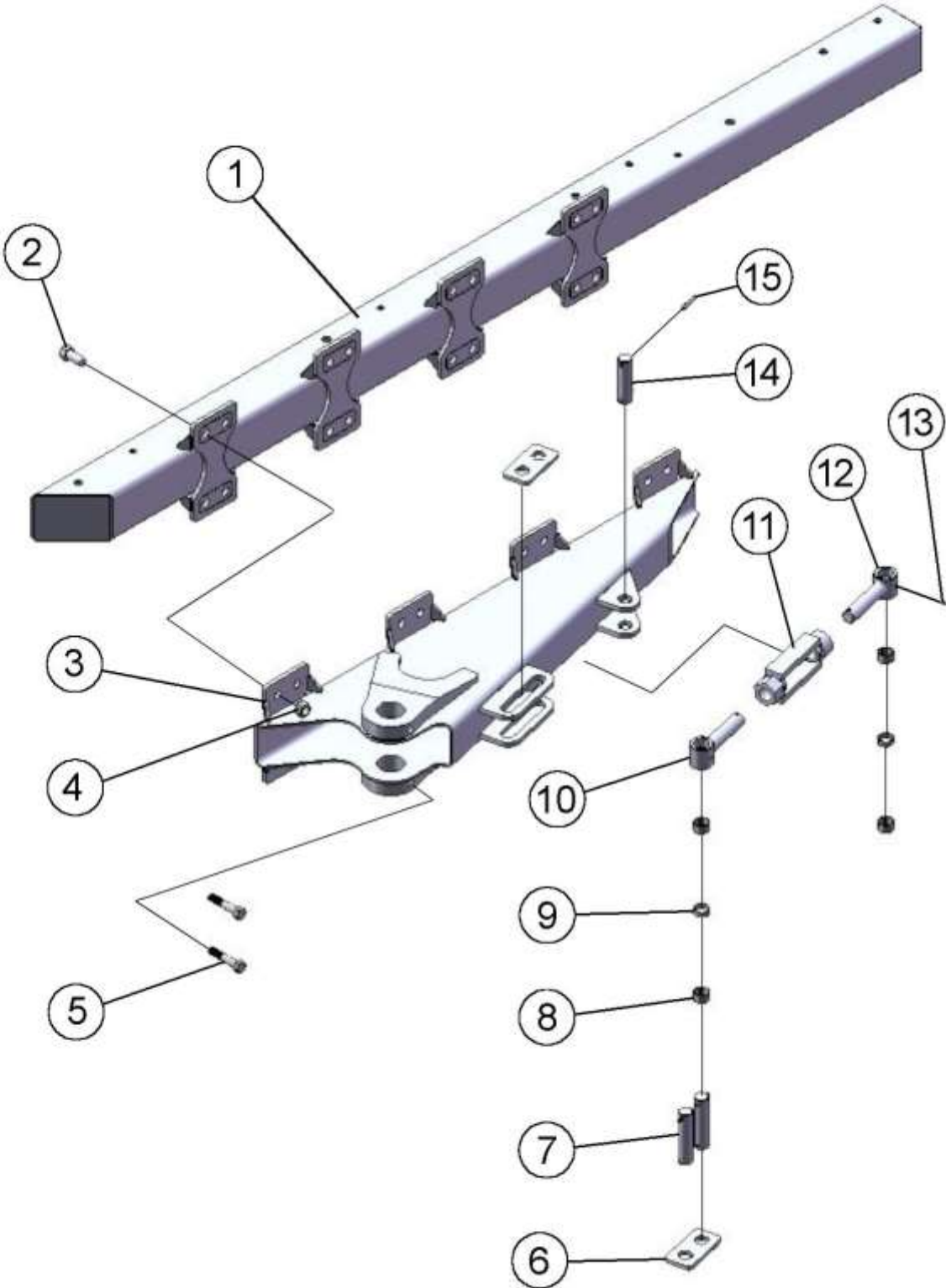
PARALLEL LINK ASSEMBLY



PARALLEL LINK ASSEMBLY

| ITEM | PART N° | DESCRIPTION | QTY |
|------|---------|---|-----|
| 1 | 901308 | Setscrew M12 x 30 | 8 |
| 2 | 900436 | Grease Nipple | 4 |
| 3 | 901189 | Spring Washer M12 | 8 |
| 4 | 1356500 | Retaining Plate | 4 |
| 5 | 1596500 | Main Link Pin | 2 |
| 6 | 903159 | Internal Tension Bush 75 x 50 | 4 |
| 7 | 1606300 | Main Link | 1 |
| 8 | - | Offset Ram Assembly (see separate page) | - |
| 9 | 900542 | Roll Pin 10 x 50 | 2 |
| 10 | 1487000 | Ram Eye Pin | 1 |
| 11 | 900376 | Internal Tension Bush 38 x 25 | 2 |
| 12 | 1623700 | Parallel Link | 1 |
| 13 | 1547900 | Bush Spacer | 1 |
| 14 | 900786 | Self-Locking Nut M24 | 3 |
| 15 | 901610 | Plain Washer M24 | 5 |
| 16 | 1623898 | Offset Ram Mounting (RH) | 1 |
| 17 | 903502 | Internal Tension Bush 38 x 30 | 1 |
| 18 | 900431 | Grease Nipple 1/4" | 2 |
| 19 | 901802 | Hose Clamp (As Half) | 2 |
| 20 | 901826 | Cover Plate | 1 |
| 21 | 901022 | Bolt M8 x 35 | 1 |
| 22 | 901141 | Bolt M24 x 90 | 2 |
| 23 | 1623899 | Offset Ram Mounting (LH) | 1 |
| 24 | 1624300 | Ram Pin (Offset) | 1 |
| 25 | 903147 | Internal Tension Bush 75 x 20 | 2 |
| 26 | 1623900 | Rear Cross Link | 1 |
| 27 | 900783 | Self-Locking Nut M12 | 1 |
| 28 | 1624100 | Parallel Link Pin | 1 |
| 29 | 901066 | Bolt M12 x 40 | 1 |
| 30 | - | Sequencing Ram Assembly (see separate page) | - |
| 31 | 1625400 | Non-Sequencing Bar (Option) | - |

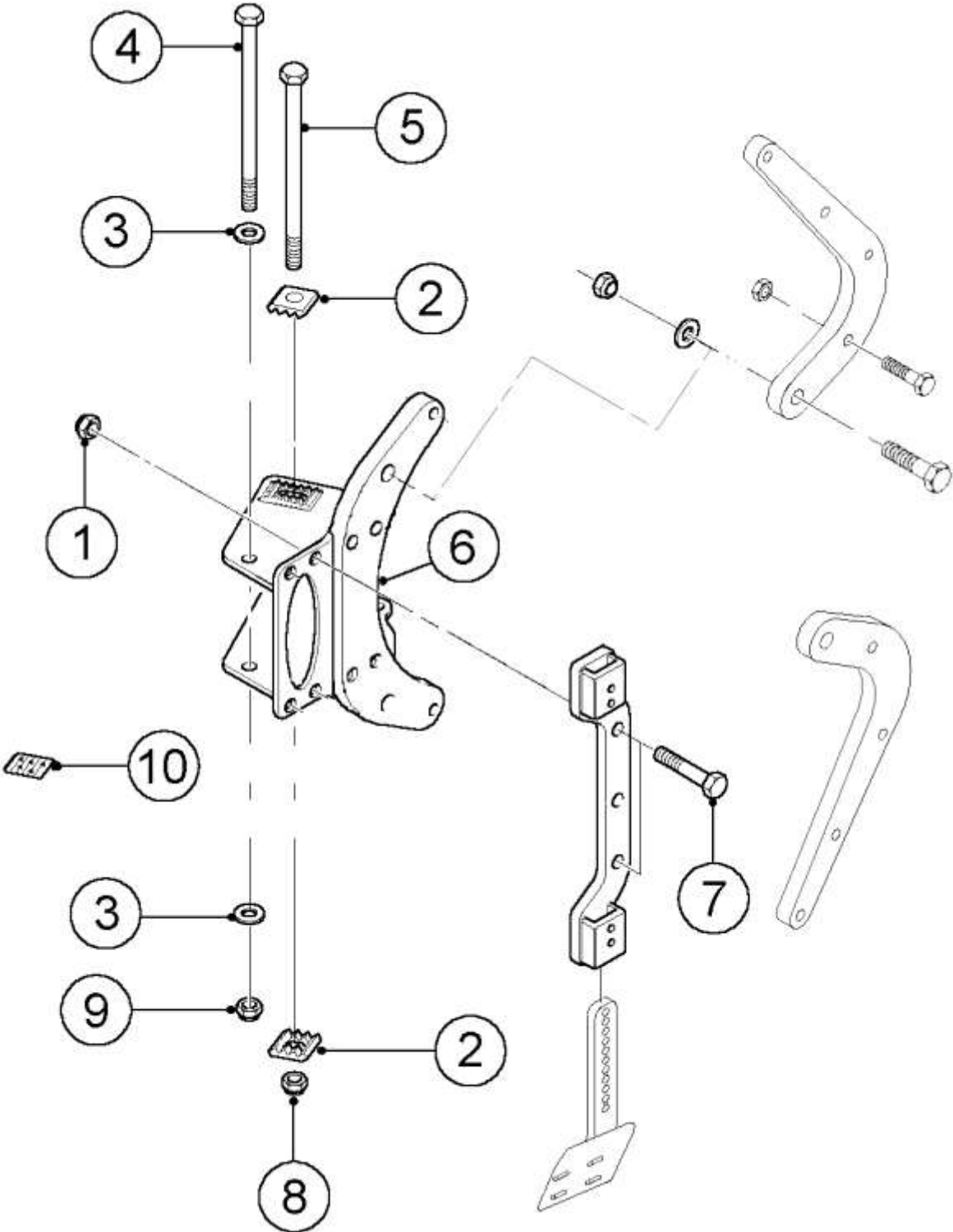
MAIN BEAM ASSEMBLY



MAIN BEAM ASSEMBLY

| ITEM | PART N° | DESCRIPTION | QTY |
|------|---------|-----------------------------|-----|
| 1 | 1623000 | Main Beam 4F MA | - |
| | 1623100 | Main Beam 5F MA | - |
| | 1623200 | Main Beam 6F MA | - |
| 2 | 903256 | Bolt M24 x 50 | 16 |
| 3 | 1623600 | Stub Beam | 1 |
| 4 | 903276 | Self-Locking Nut M24 | 16 |
| 5 | 903494 | Setscrew M16 x 50 | 2 |
| - | 901981 | Locknut M16 | 2 |
| 6 | 1624200 | Slide Capping | 2 |
| 7 | 1624400 | Slide Pin | 2 |
| 8 | 900376 | Tension Bush | 4 |
| 9 | 1547900 | Bush Spacer | 2 |
| 10 | 1586000 | Turnbuckle Screw (RH) | 1 |
| 11 | 1582300 | Turnbuckle Body | 1 |
| 12 | 1624600 | Turnbuckle Screw (LH) | 1 |
| 13 | 900431 | Grease Nipple 1/4" Straight | 4 |
| 14 | 1624500 | Turnbuckle Pin | 1 |
| 15 | 900542 | Spring Pin 10 x 60 | 6 |

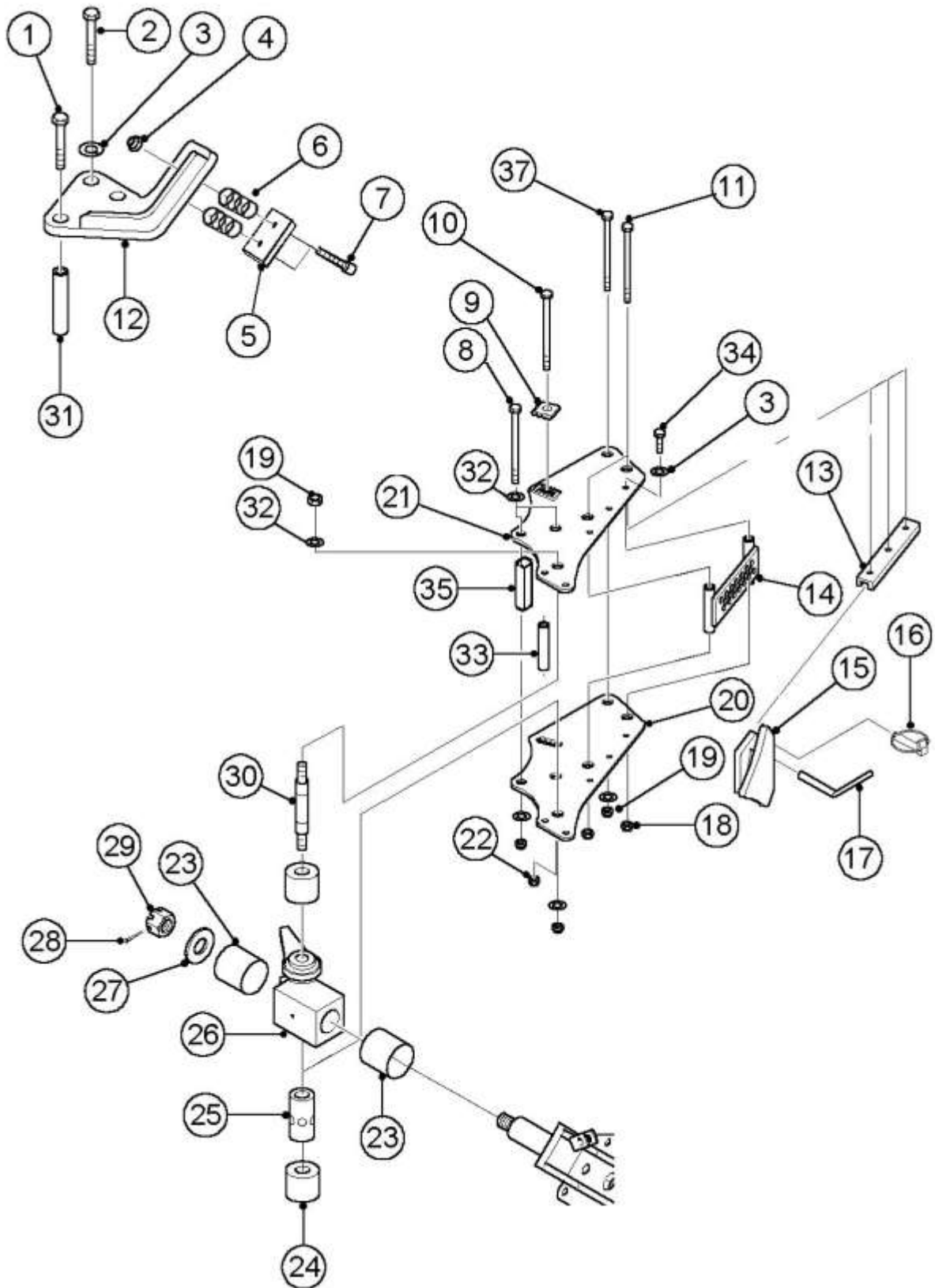
MA LEG BRACKET ASSEMBLY



MA LEG BRACKET ASSEMBLY

| ITEM | PART N° | DESCRIPTION | QTY |
|------|---------|-------------------------|-----|
| 1 | 900786 | Self-Locking Nut M24 | 2 |
| 2 | 1022700 | Serrated Width Adjuster | 2 |
| 3 | 901610 | Plain Washer M24 | 4 |
| 4 | 901150 | Bolt M24 x 200 | 1 |
| 5 | 901124 | Bolt M24 x 240 | 1 |
| 6 | 1624700 | MA Leg Bracket | 1 |
| 7 | 903268 | Bolt M24 x 60 | 2 |
| 8 | 900785 | Self-Locking Nut M20 | 1 |
| 9 | 900786 | Self-Locking Nut M24 | 1 |
| 10 | 1620800 | Furrow Width Decal | 1 |

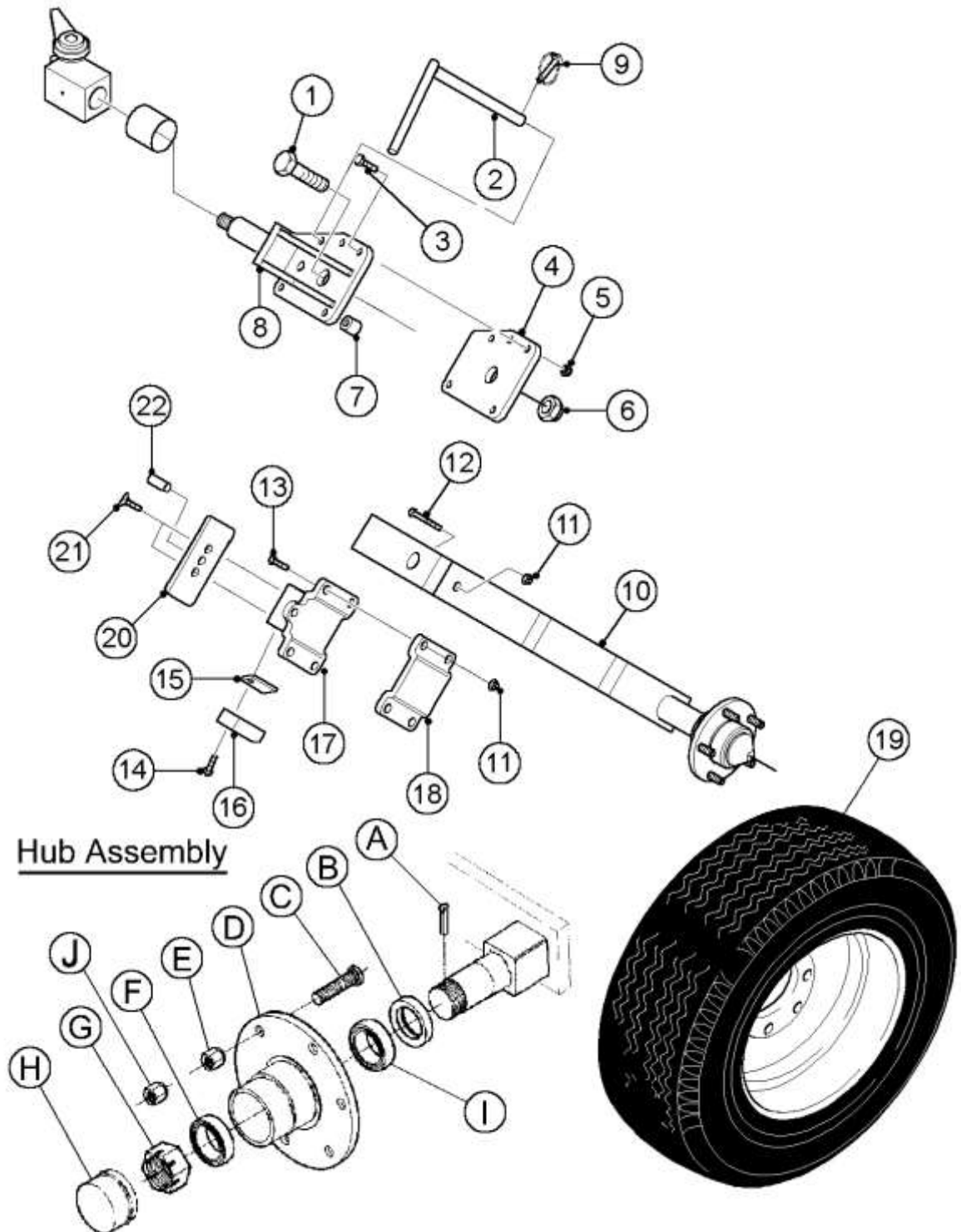
D/T WHEEL BRACKET



D/T WHEEL BRACKET

| ITEM | PART N° | DESCRIPTION | QTY |
|------|---------|-----------------------------|-----|
| 1 | 901104 | Bolt M16 x 280 | 1 |
| 2 | 901330 | Set Screw M16 x 35 | 4 |
| 3 | 901191 | Spring Washer M16 | 10 |
| 4 | 900783 | Self-Locking Nut M12 | 4 |
| 5 | 1588900 | Bump Stop Plate | 2 |
| 6 | 900455 | Spring | 4 |
| 7 | 901505 | C'sunk Square Bolt M12 x 80 | 4 |
| 8 | 903136 | Bolt M24 x 260 | 2 |
| 9 | 1022700 | Serrated Width Adjuster | 2 |
| 10 | 901124 | Bolt M20 x 240 | 1 |
| 11 | 903138 | Bolt M16 x 250 | 2 |
| 12 | 1489499 | Wheel Bump Stop (LH) | 1 |
| - | 1489498 | Wheel Bump Stop (RH) | 1 |
| 13 | 1483500 | Adjuster Slide Rail | 2 |
| 14 | 1483600 | Adjuster Locator | 1 |
| 15 | 1483300 | Depth Adjuster | 1 |
| 16 | 900527 | Linch Pin | 1 |
| 17 | 1484300 | Depth Locator Pin | 1 |
| 18 | 900784 | Self-Locking Nut M16 | 3 |
| 19 | 900786 | Self-Locking Nut M24 | 5 |
| 20 | 1602298 | Wheel Mounting (RH) | 1 |
| 21 | 1602299 | Wheel Mounting (LH) | 1 |
| 22 | 900785 | Self-Locking Nut M20 | 1 |
| 23 | 903151 | Plain Metal Bearing | 2 |
| 24 | 900389 | Plain Metal Bearing | 2 |
| 25 | 1484000 | Wheel Swivel Spacer | 1 |
| 26 | 1476900 | Wheel Swivel | 1 |
| 27 | 1498300 | Special Washer | 1 |
| 28 | 901917 | Split Cotter Pin | 1 |
| 29 | 901556 | Hexagonal Slotted Nut M24 | 1 |
| 30 | 1483400 | Wheel Swivel Pin | 1 |
| 31 | 1489600 | Bump Stop Support | 1 |
| 32 | 901610 | Plain Washer M24 | 8 |
| 33 | 1484100 | Swivel Limit | 1 |
| 34 | 901329 | Set Screw M16 x 30 | 4 |
| 35 | 1556000 | Adjustable Swivel Limit | 1 |
| 36 | 901330 | Set Screw M16 x 35 | 2 |
| 37 | 901151 | Bolt M24 x 210 | 1 |

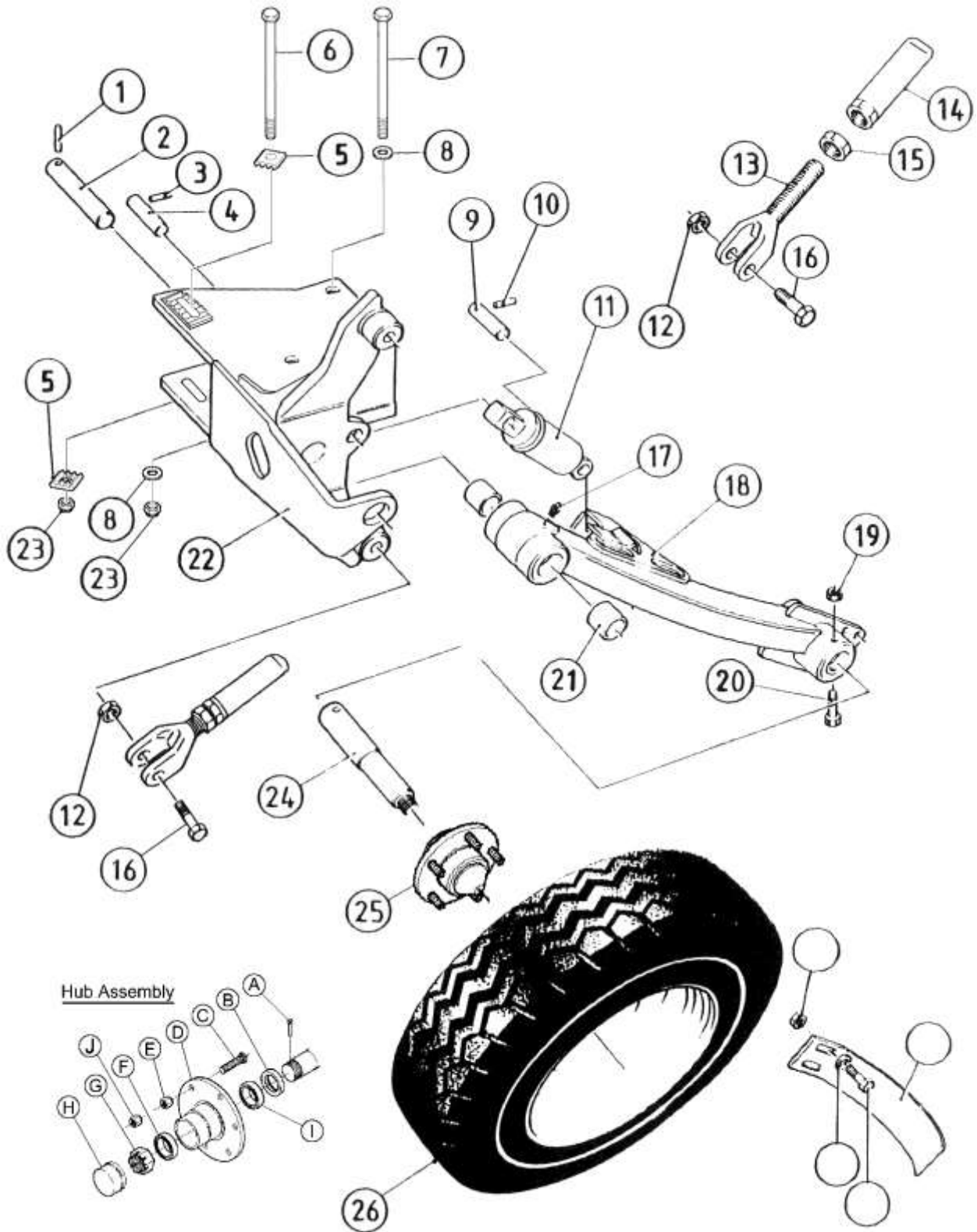
D/T WHEEL ARM



D/T WHEEL ARM OPTION

| ITEM | PART N° | DESCRIPTION | QTY |
|------|---------|-----------------------------------|-----|
| 1 | 901141 | Bolt M24 x 90 | 1 |
| 2 | 1484200 | Wheel Transport Pin | 1 |
| 3 | 901089 | Bolt M16 x 90 | 3 |
| 4 | 1484800 | Wheel Arm Clevis Plate | 1 |
| 5 | 900784 | Self-Locking Nut M16 | 3 |
| 6 | 900786 | Self-Locking Nut M24 | 1 |
| 7 | 1484900 | Clevis Spacer Boss | 3 |
| 8 | 1483200 | Wheel Pivot | 2 |
| 9 | 900528 | Linch Pin | 1 |
| 10 | 1606600 | Wheel Arm | 1 |
| 11 | 900783 | Self-Locking Nut M12 | 5 |
| 12 | 901070 | Bolt M12 x 60 | 1 |
| 13 | 901067 | Bolt M12 x 45 | 4 |
| 14 | 903453 | Socket Cap Screw M10 x 35 | 2 |
| 15 | 1485600 | Depth Equalizing Strip | 2 |
| 16 | 1483700 | Depth Striker | 2 |
| 17 | 1534100 | Depth Striker Mounting | 1 |
| 18 | 1483900 | Depth Striker Clamp | 1 |
| 19 | 1566000 | Wheel Assembly 11.5/80 – 15.3 | 1 |
| 20 | 1518100 | Keep Plate | 1 |
| 21 | 901199 | Countersunk Socket Screw M12 x 35 | 2 |
| 22 | 1520600 | Dowel Pin | 1 |
| A | 1607800 | 'D' Spring Clip | 1 |
| B | 1523800 | Dirt Seal | 1 |
| C | 1497400 | Wheel Stud M16 x 1.5 | 5 |
| D | 1608200 | Wheel Hub | 1 |
| E | 1497500 | Wheel Nut M16 x 1.5 | 5 |
| F | 1497600 | Tapered Roller Bearing (small) | 1 |
| G | 1607700 | Slotted Nut | 1 |
| H | 1497800 | Hub Cap | 1 |
| I | 232100 | Tapered Roller Bearing (Large) | 1 |
| J | 903274 | Self-Locking Nut M16 | 5 |

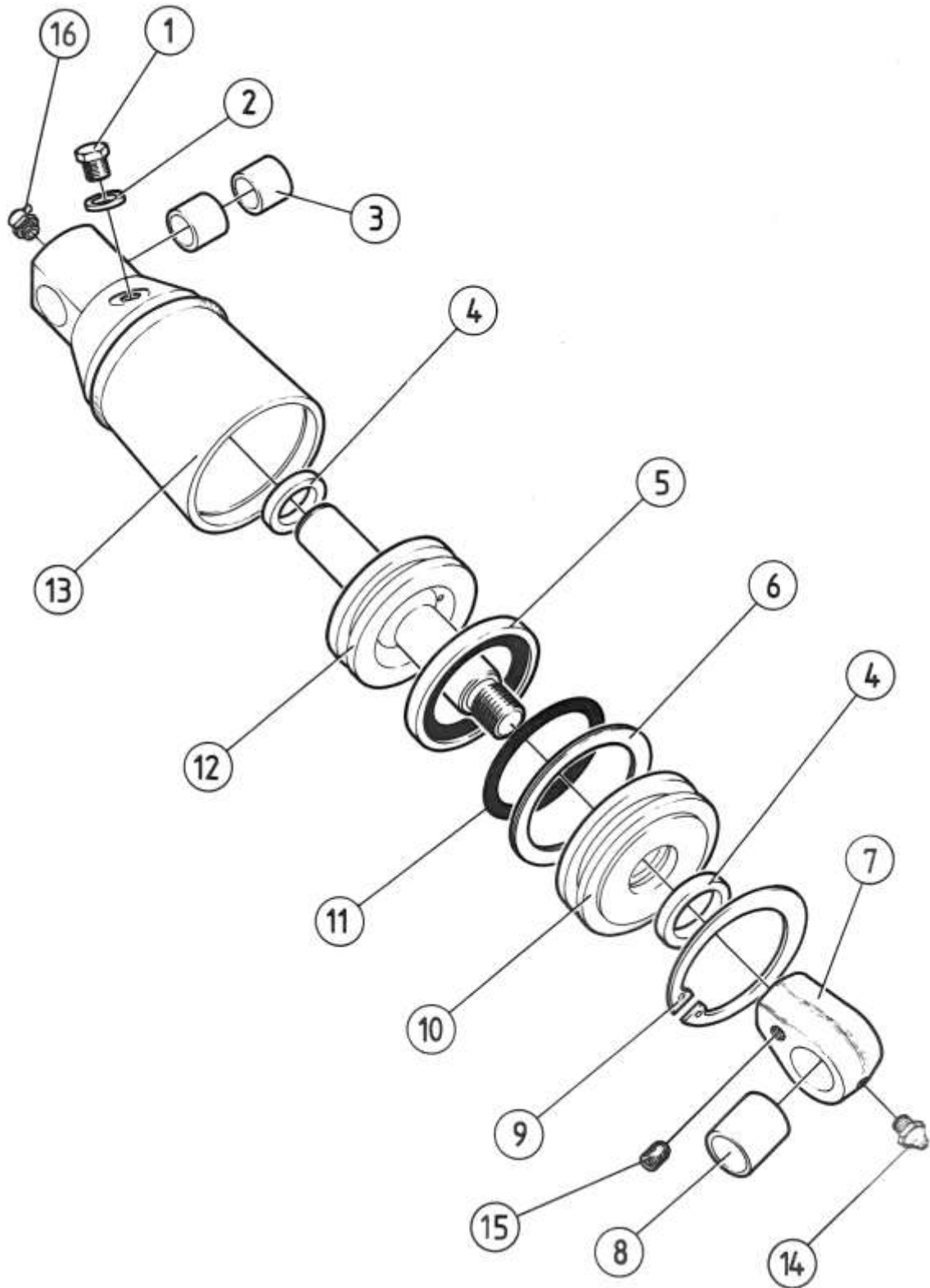
DEPTH ONLY WHEEL OPTION



DEPTH ONLY WHEEL OPTION

| ITEM | PART N° | DESCRIPTION | QTY |
|------|---------|------------------------------------|-----|
| 1 | 900542 | Spring Pin 10 x 60 | 1 |
| 2 | 1229700 | Pivot Pin | 1 |
| 3 | 900293 | Spring Pin 5/16" x 2.5" | 1 |
| 4 | 1247200 | Damper Top Pin | 1 |
| 5 | 1022700 | Serrated Width Adjuster | 2 |
| 6 | 901124 | Bolt M20 x 240 | 1 |
| 7 | 901121 | Bolt M20 x 200 | 1 |
| 8 | 901607 | Plain Washer M20 | 2 |
| 9 | 1167700 | Damper Bottom Pin | 1 |
| 10 | 900551 | Spring Pin 8 x 40 | 1 |
| 11 | - | Wheel Damper (see separate page) | - |
| 12 | 900120 | Self-Locking Nut 5/8" UNC | 2 |
| 13 | 199700 | Depth Stop Screw | 2 |
| 14 | 265900 | Depth Stop Tube (Long) | 2 |
| 15 | 900109 | Lock Nut 1" UNF | 2 |
| 16 | 900869 | Bolt 5/8" x 3" | 2 |
| 17 | 900431 | Grease Nipple | 2 |
| 18 | 1595700 | Wheel Arm | 1 |
| 19 | 900783 | Self-Locking Nut M12 | 1 |
| 20 | 901074 | Bolt M12 x 80 | 1 |
| 21 | 900348 | Internal Tension Bush | 2 |
| 22 | 1595900 | Wheel Mounting Bracket | 1 |
| 23 | 900785 | Self-Locking Nut M20 | 2 |
| 24 | 1619700 | Stub Axle | 1 |
| 25 | - | Wheel Hub Assembly (see A-J below) | - |
| 26 | 1566000 | Wheel Assembly | 1 |
| - | 903051 | Wheel Rim | - |
| - | 901741 | Tyre (11.5/80 – 15.3) | - |
| A | 1607800 | 'D' Spring Clip | 1 |
| B | 1497200 | Dirt Seal | 1 |
| C | 1497400 | Wheel Stud M16 x 1.5 | 5 |
| D | 1608200 | Wheel Hub | 1 |
| E | 1497500 | Wheel Nut M16 x 1.5 | 5 |
| F | 1497600 | Tapered Roller Bearing (small) | 1 |
| G | 1607700 | Slotted Nut | 1 |
| H | 1497800 | Hub Cap | 1 |
| I | 232100 | Tapered Roller Bearing (Large) | 1 |
| J | 903274 | Self-Locking Nut M16 x 1.5 | 5 |

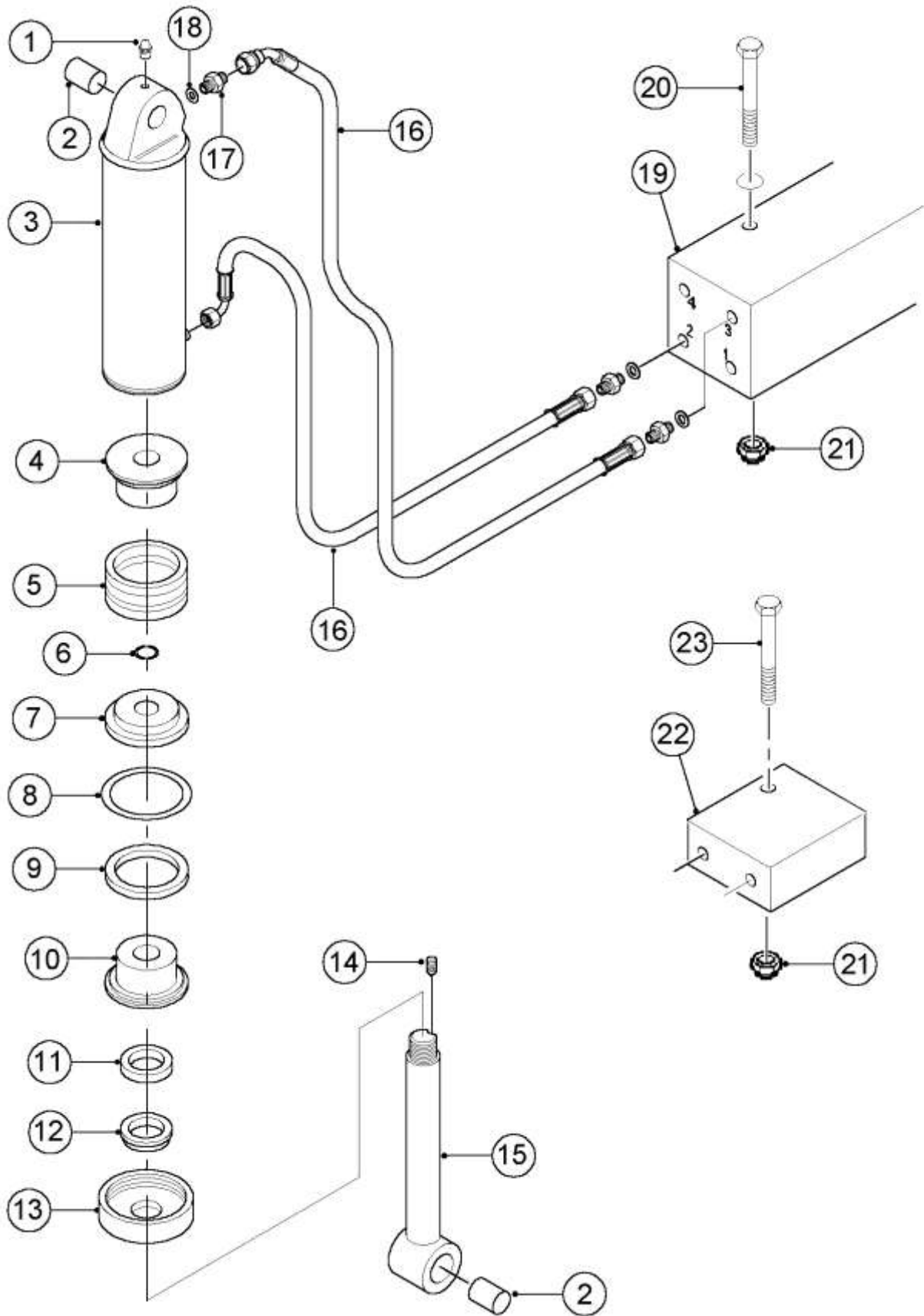
DEPTH ONLY DAMPER OPTION



DEPTH ONLY DAMPER OPTION

| ITEM | PART N° | DESCRIPTION | QTY |
|------|---------|----------------------------|-----|
| 1 | 900021 | Setscrew 3/8" UNF x 3/8" | 1 |
| 2 | 900306 | Dowty Washer 1/4" BSP | 1 |
| 3 | 900381 | Internal Tension Bush | 2 |
| 4 | 900225 | Single Acting Seal | 2 |
| 5 | 900247 | Composite Seal | 1 |
| 6 | 900805 | Back-Up Ring | 1 |
| 7 | 197200 | Rod Eye | 1 |
| 8 | 900377 | Internal Tension Bush | 1 |
| 9 | 900772 | Circlip | 1 |
| 10 | 198400 | End Bung | 1 |
| 11 | 900210 | 'O' Ring | 1 |
| 12 | 264300 | Piston Rod Assembly | 1 |
| 13 | 198800 | Cylinder Assembly | 1 |
| 14 | 900431 | Grease Nipple Straight | 1 |
| 15 | 900154 | Grub Screw 1/4" UNF x 1/4" | 1 |
| 16 | 9004341 | Grease Nipple 90° | 1 |
| - | 198300 | Damper Assembly | - |
| - | 1029900 | Seal Set | - |

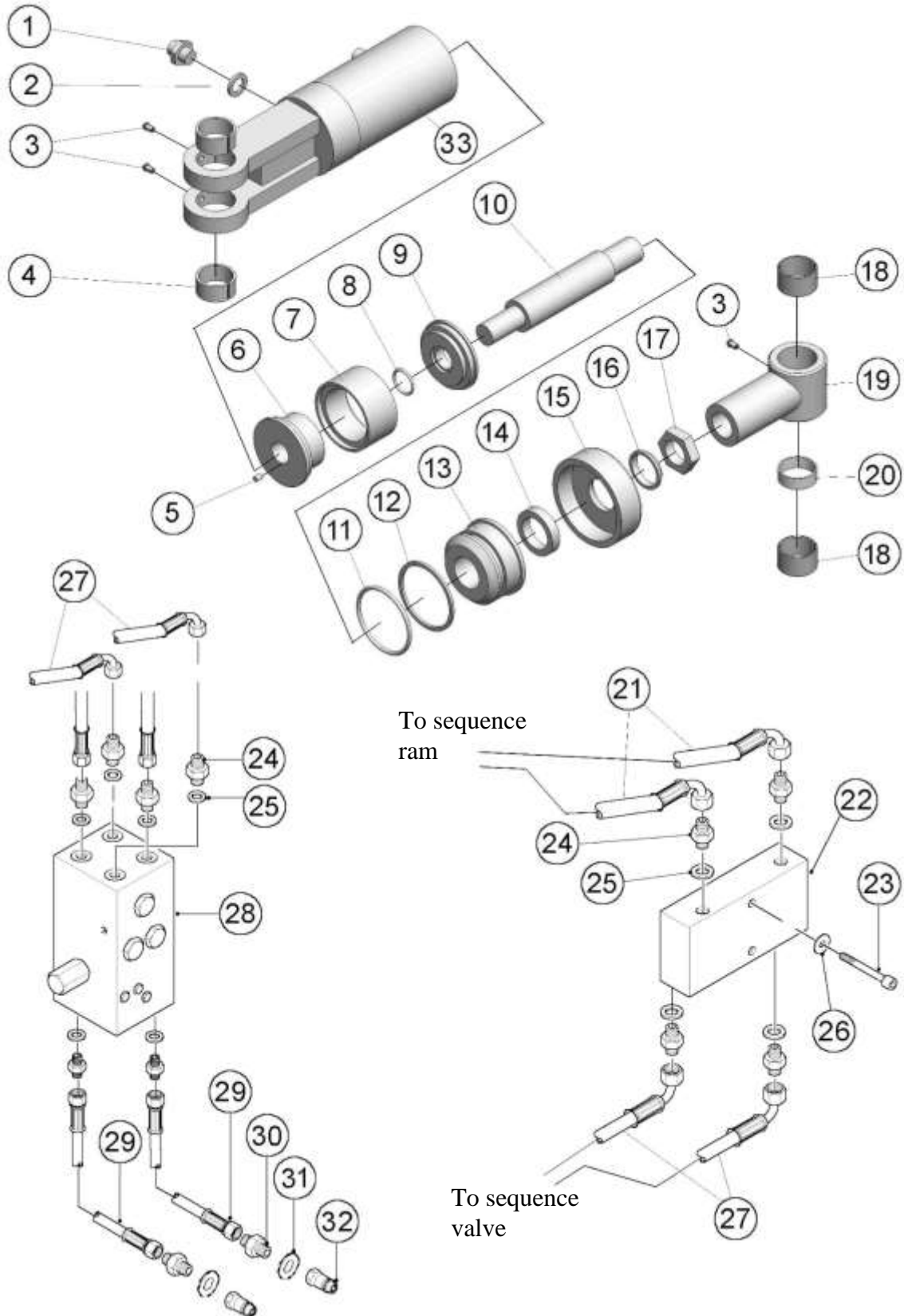
TURNOVER HYDRAULICS



TURNOVER HYDRAULICS

| ITEM | PART N° | DESCRIPTION | QTY |
|------|---------|-------------------------------|-----|
| 1 | 900431 | Grease Nipple ¼” UNF Straight | 2 |
| 2 | 900373 | Plain Metal Bearing | 2 |
| 3 | 161800 | Cylinder Assembly | 1 |
| 4 | 006300 | Piston | 1 |
| 5 | 900241 | Seal Assembly | 1 |
| 6 | 900204 | ‘O’ Ring | 1 |
| 7 | 006400 | Annulus | 1 |
| 8 | 900203 | ‘O’ | 1 |
| 9 | 900801 | Back-up Ring | 1 |
| 10 | 006500 | End Plug | 1 |
| 11 | 900221 | Single Acting Seal | 1 |
| 12 | 900261 | Wiper Seal | 1 |
| 13 | 006600 | End Cap | 1 |
| 14 | 900151 | Socket Set Screw ¼” UNF | 1 |
| 15 | 018700 | Piston Rod | 1 |
| 16 | 043000 | Hydraulic Hose Assembly | 2 |
| 17 | 900391 | Adapter 3/8” BSP | 1 |
| 18 | 900301 | Dowty Washer 3/8” BSP | 1 |
| 19 | 1484600 | Sequence Valve | 1 |
| 20 | 901034 | Bolt M8 x 110 | 1 |
| 21 | 900781 | Self-Locking Nut M8 | 1 |
| 22 | 1534200 | Turnover valve (option) | - |
| 23 | 901044 | Bolt M8 x 75 (option) | - |
| - | 161700 | Ram Assembly | |
| - | 052500 | Seal Kit | |

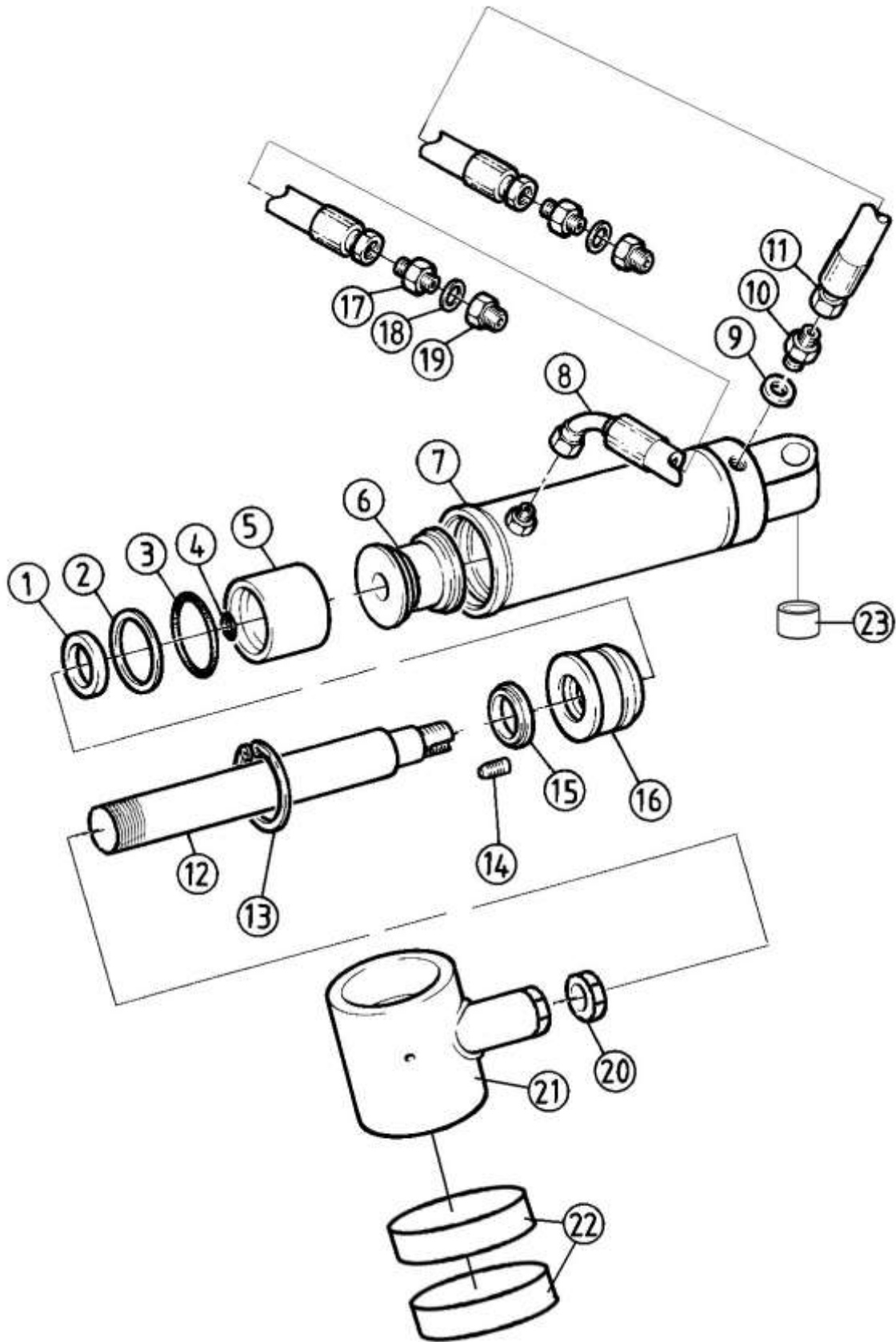
SEQUENCING HYDRAULICS



SEQUENCING HYDRAULICS

| ITEM | PART N° | DESCRIPTION | QTY |
|------|---------|------------------------------------|-----|
| 1 | 900391 | Adapter 3/8" BSP | 1 |
| 2 | 900301 | Dowty Washer 3/8" BSP | 1 |
| 3 | 900431 | Grease Nipple 1/4" | 3 |
| 4 | 903503 | Internal Tension Bush 38 x 20 | 2 |
| 5 | 900151 | Socket Set Screw 1/4" UNF | 1 |
| 6 | 006300 | Piston | 1 |
| 7 | 900241 | Double Acting Seal | 1 |
| 8 | 900204 | 'O' Ring | 1 |
| 9 | 006400 | Annulus | 1 |
| 10 | 1625000 | Piston Rod | 1 |
| 11 | 900203 | 'O' Ring | 1 |
| 12 | 900801 | Back-Up Ring | 1 |
| 13 | 006500 | End Plug | 1 |
| 14 | 900221 | Single Acting Seal | 1 |
| 15 | 006600 | End Cap | 1 |
| 16 | 900261 | Wiper Seal | 1 |
| 17 | 901984 | Lock-Nut M30 | 1 |
| 18 | 900376 | Internal Tension Bush 38 x 25 | 2 |
| 19 | 1625100 | Sequence Rod Eye | 1 |
| 20 | 1547900 | Bush Spacer | 1 |
| 21 | 1492500 | Hydraulic Hose Assembly | 2 |
| 22 | 1085900 | Check Valve | 1 |
| 23 | 901023 | Bolt M8 x 40 | 2 |
| 24 | 900391 | Adapter 3/8" BSP | 10 |
| 25 | 900301 | Dowty Washer 3/8" BSP | 10 |
| 26 | 902482 | Plain Washer M8 | 2 |
| 27 | 1492500 | Hydraulic Hose Assembly | 2 |
| 28 | - | Sequence Valve (see turnover page) | - |
| 29 | 008400 | Hydraulic Hose Assembly | 2 |
| 30 | 900392 | Adapter 3/8" - 1/2" BSP | 2 |
| 31 | 900302 | Dowty Washer 1/2" BSP | 2 |
| 32 | 900611 | Tractor Quick Coupler | 2 |
| 33 | 1624900 | Sequence Cylinder | 1 |
| - | 1624800 | Ram Assembly | - |
| - | 052500 | Seal Kit | - |

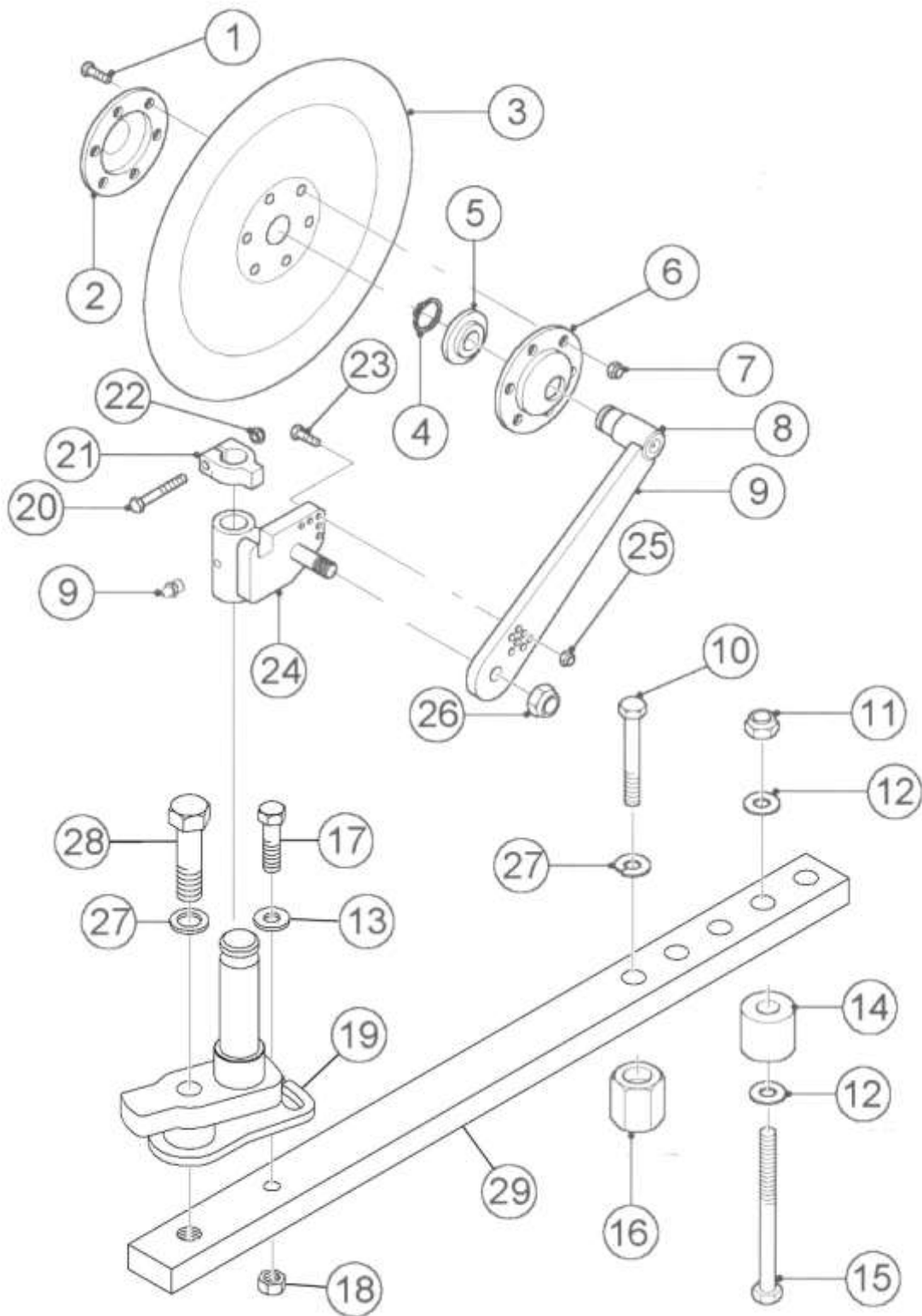
OFFSET HYDRAULICS



OFFSET HYDRAULICS

| ITEM | PART N° | DESCRIPTION | QTY |
|------|---------|------------------------------------|-----|
| 1 | 900225 | Single Acting Seal | 1 |
| 2 | 900805 | Back- Up Ring | 1 |
| 3 | 900210 | 'O' Ring | 1 |
| 4 | 900209 | 'O' Ring | 1 |
| 5 | 900246 | Double Acting Seal | 1 |
| 6 | 148300 | Piston | 1 |
| 7 | 1598000 | Cylinder Assembly | 1 |
| 8 | 1491700 | Hydraulic Hose Assembly | 1 |
| 9 | 900301 | Dowty Washer 3/8" BSP | 1 |
| 10 | 900391 | Male- Male Adapter 3/8" - 3/8" BSP | 1 |
| 11 | 1491700 | Hydraulic Hose Assembly | 1 |
| 12 | 1092100 | Piston Rod | 1 |
| 13 | 900722 | Internal Circlip | 1 |
| 14 | 900151 | Socket Set Screw 1/4" UNF | 1 |
| 15 | 900263 | Wiper Seal | 1 |
| 16 | 148200 | End Bung | 1 |
| 17 | 900392 | Male- Male Adapter 3/8" - 1/2" BSP | 2 |
| 18 | 900302 | Dowty Washer 1/2" BSP | 2 |
| 19 | 900611 | Tractor Quick Coupler | 2 |
| 20 | 900776 | Lock Nut M24 | 1 |
| 21 | 1624000 | Offset Ram Eye | 1 |
| 22 | 903147 | Internal Tension Bush 75 x 20 | 2 |
| 23 | 900372 | Internal Tension Bush 38 x 30 | 1 |
| - | 1597900 | Ram Assembly | - |
| - | 151600 | Ram Seal Kit | - |

DISC ASSEMBLY

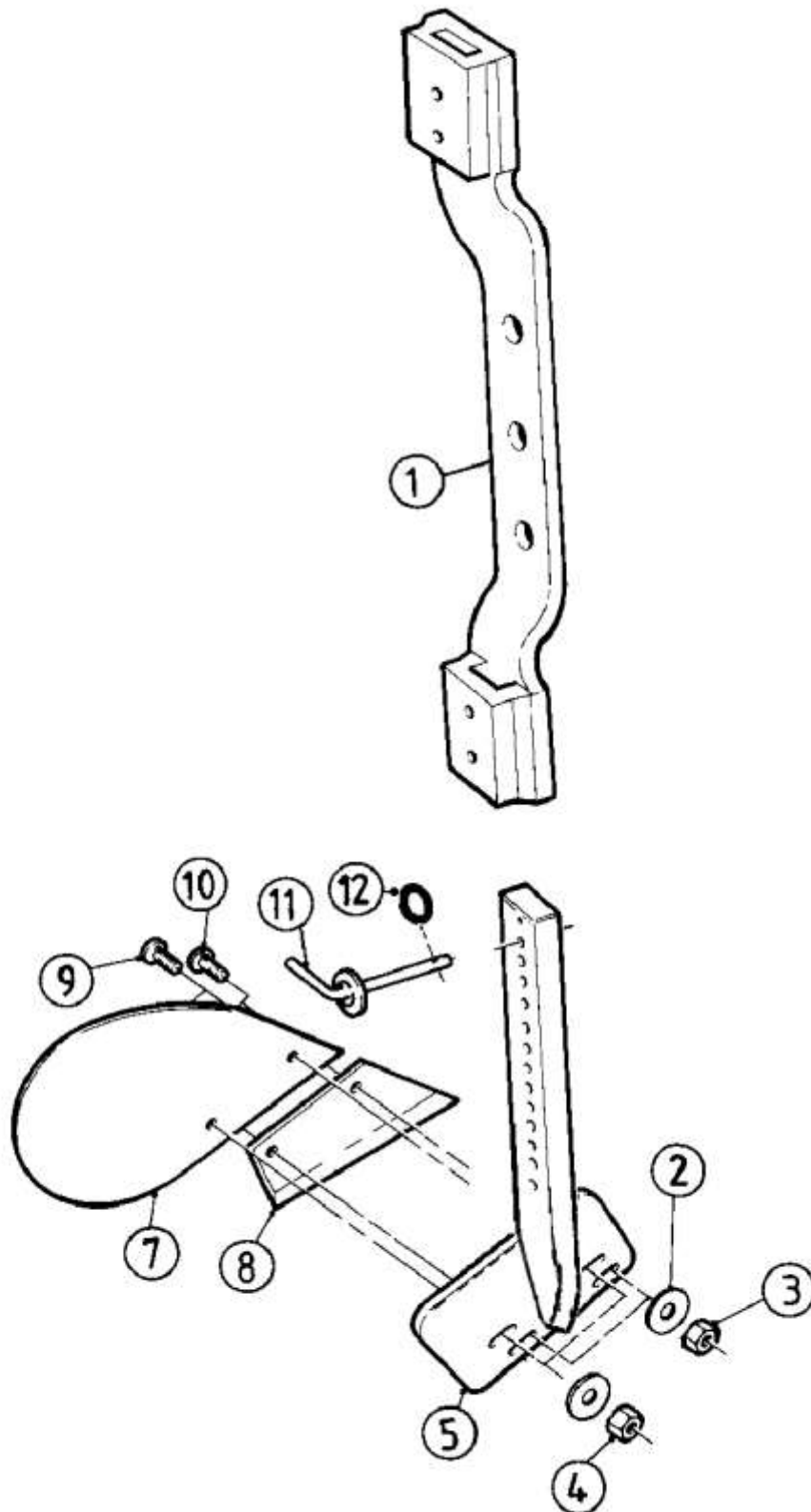


DISC ASSEMBLY

| ITEM | PART N° | DESCRIPTION | QTY |
|------|---------|--------------------------|-----|
| 1 | 901263 | Set Screw M8 x 30 | 6 |
| 2 | 054900 | Bearing Outer Housing | 1 |
| 3 | 052800 | Disc 18" Plain | - |
| - | 063800 | Disc 18" Cutaway | - |
| 4 | 900601 | External Circlip | 1 |
| 5 | 900324 | Bearing | 1 |
| 6 | 055000 | Bearing Inner Housing | 1 |
| 7 | 900781 | Self Locking Nut M8 | 6 |
| 8 | 1100200 | Disc Arm | 1 |
| 9 | 900431 | Grease Nipple ¼" UNF | 2 |
| 10 | 901381 | Set Screw M24 x 55 | 1 |
| 11 | 903276 | Self locking Nut M24 | 2 |
| 12 | 901610 | Plain Washer M24 | 2 |
| 13 | 902954 | Special Washer | 1 |
| 14 | 1425500 | Spacer Boss | 2 |
| 15 | 903258 | Bolt M24 x 110 | 2 |
| 16 | 1467500 | Disc Spacer Nut | 1 |
| 17 | 901085 | Bolt M16 x 65 | 1 |
| 18 | 900784 | Self Locking Nut M16 | 1 |
| 19 | 1603698 | Disc Offset Knuckle (RH) | 1 |
| - | 1603699 | Disc Offset Knuckle (LH) | - |
| 20 | 901073 | Bolt M12 x 75 | 1 |
| 21 | 1100400 | Disc Clamp | 1 |
| 22 | 900783 | Self Locking Nut M12 | 1 |
| 23 | 902350 | Shearbolt | 1 |
| 24 | 1138198 | Disc Swivel (RH) | 1 |
| - | 1138199 | Disc Swivel (LH) | - |
| 25 | 900105 | Plain Nut ½" UNF | 1 |
| 26 | 900117 | Self Locking Nut ¾" UNF | 1 |
| 27 | 901195 | Spring Washer M24 | 2 |
| 28 | 901141 | Bolt M24 x 90 | 1 |
| 29 | 1603500 | Disc Support Arm | 1 |

Quantities are per hand

SKIM ASSEMBLY

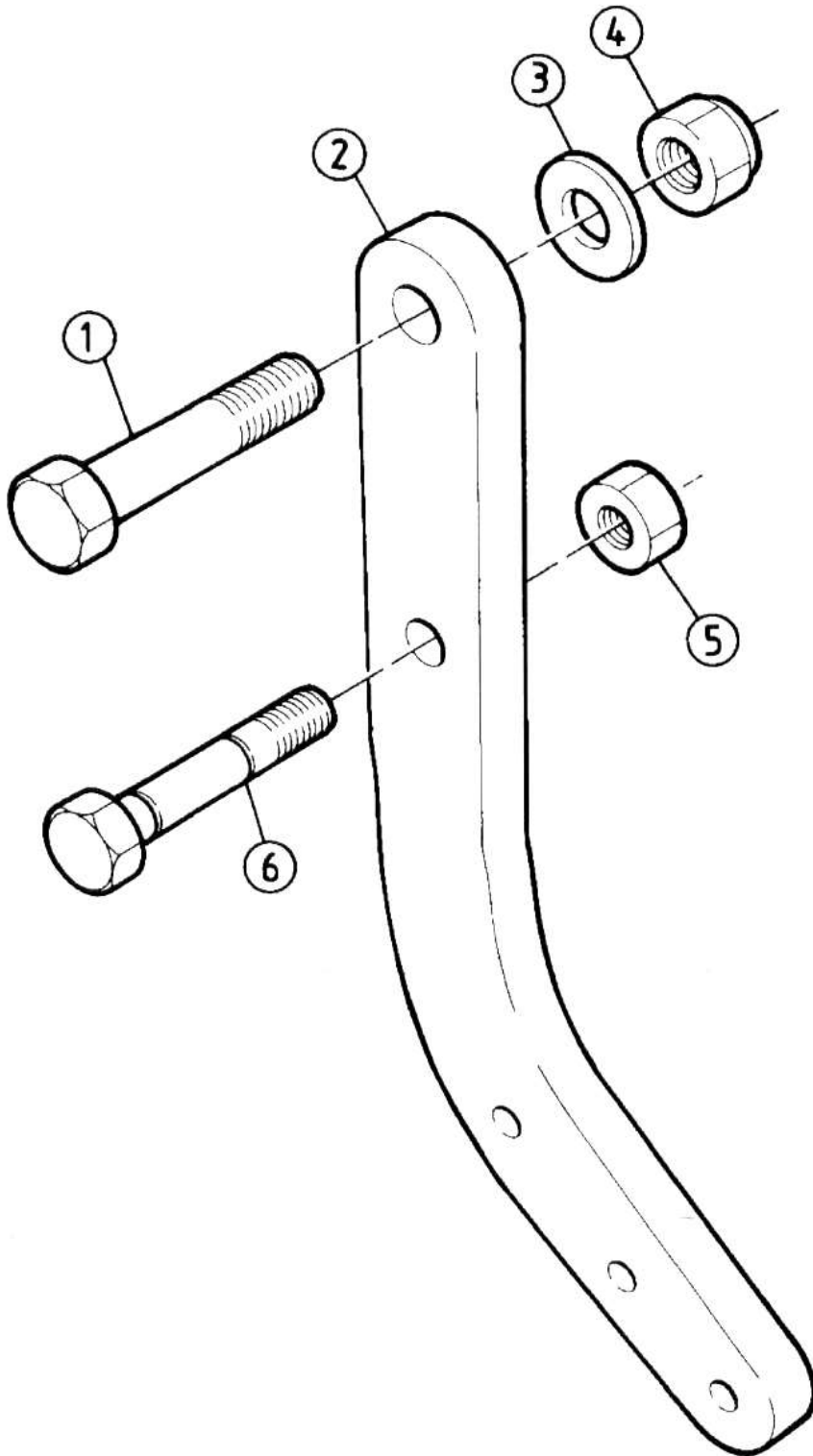


SKIM ASSEMBLY

| ITEM | PART N° | DESCRIPTION | QTY |
|------|---------|----------------------------|-----|
| 1 | 1597800 | Skim Bracket | 1 |
| 2 | 902955 | Plain Washer M10 (Special) | 4 |
| 3 | 900498 | Nut 3/8" UNC | 4 |
| 4 | 900103 | Nut 3/8" UNF | 4 |
| 5 | 1467998 | Skim Shank RH | 1 |
| | 1467999 | Skim Shank LH | 1 |
| 7 | 1099898 | Skim Wing (XL) RH | 1 |
| | 1099899 | Skim Wing (XL) LH | 1 |
| 8 | 048098 | Skim Point RH | 1 |
| | 048099 | Skim Point LH | 1 |
| 9 | 900141 | Countersunk Square Bolt | 4 |
| 10 | 900810 | Taper Head Bolt | 4 |
| 11 | 1344100 | Locating Pin | 2 |
| 12 | 903200 | Spring Coil | 2 |

All Quantities are per furrow

125 SERIES LEG



125 SERIES LEG

| ITEM | PART N° | DESCRIPTION | QTY |
|------|---------|-------------------------------|--------|
| 1 | 902260 | Bolt M30 x 100 | 1 |
| 2 | - | See Table Below | As Req |
| 3 | 901608 | Plain Washer M30 | 1 |
| 4 | 903277 | Self Locking Nut M30 | 1 |
| 5 | 900775 | Plain Nut M20 | 1 |
| 6 | - | Shearbolt (See Separate Page) | - |

LEG LIST

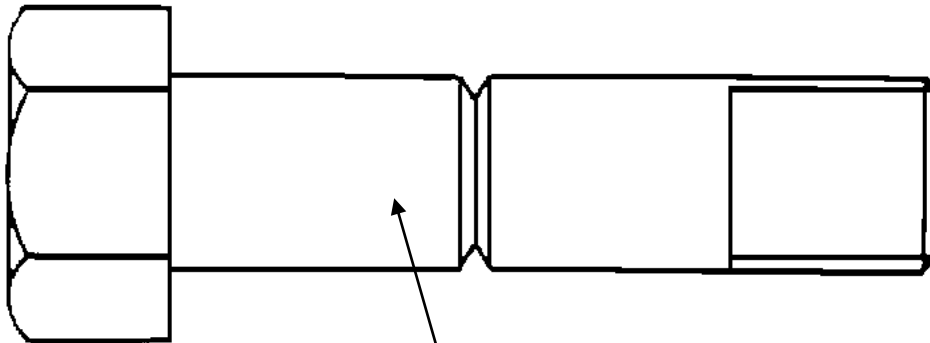
| Underbeam Clearance (Inches) | Body Type | Part N° |
|------------------------------|-----------|---------|
| 29.25 | DD | 1466700 |
| 29.00 | UCN | 1466700 |
| 29.75 | M-SLAT | 1466900 |
| 29.25 | YCN | 1520400 |

125 SERIES LEG SHEARBOLT

To avoid SERIOUS DAMAGE it is essential that the correct shear bolts are fitted and fitted with the bolt head against the leg.

THE USE OF INCORRECT SHEARBOLTS WILL NULLIFY
YOUR WARRANTY!

To ease identification, all leg shearbolts are colour coded.



Pink

Part Number – 902347

Supplied with nut inclusive as spare.