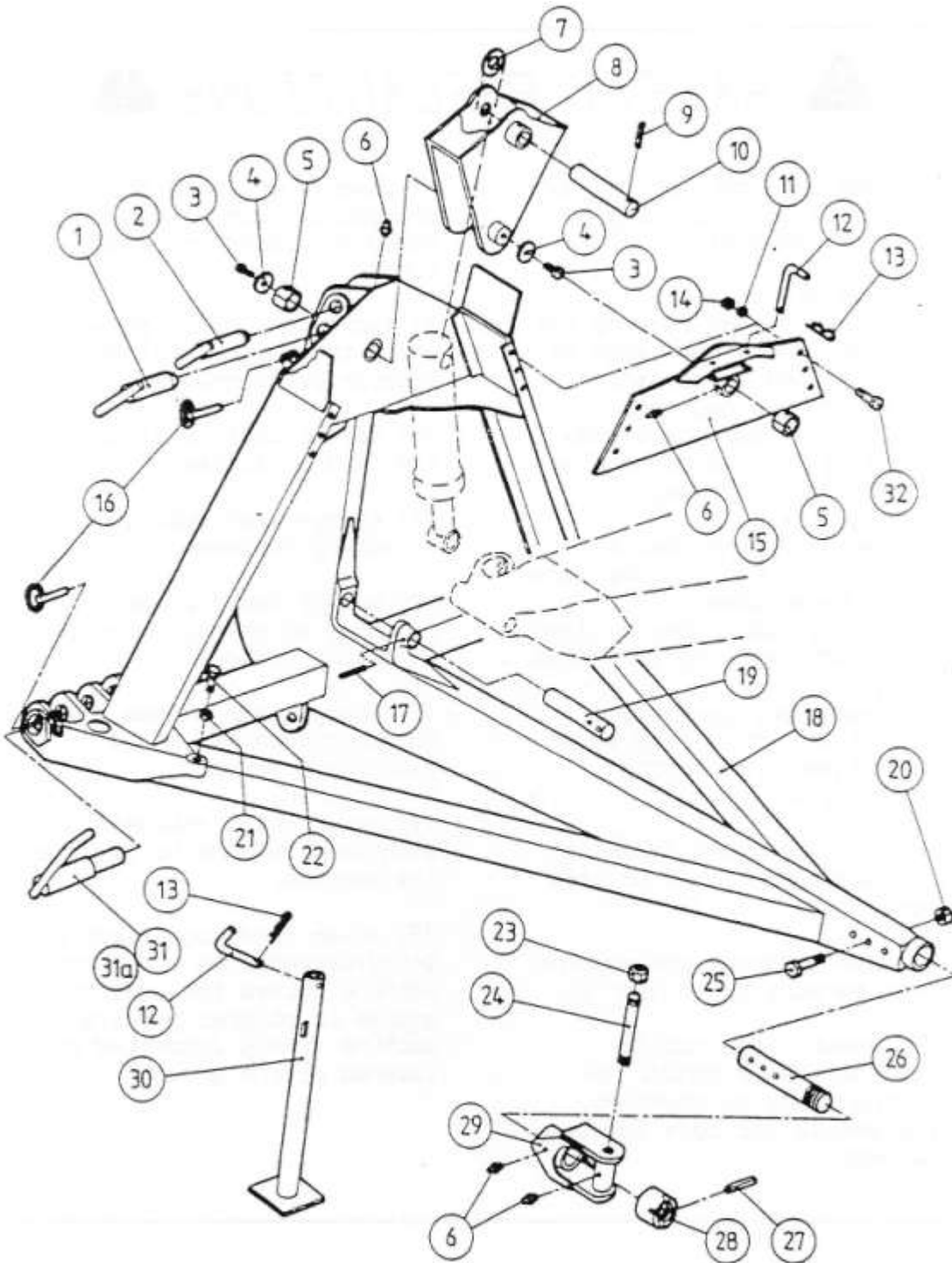


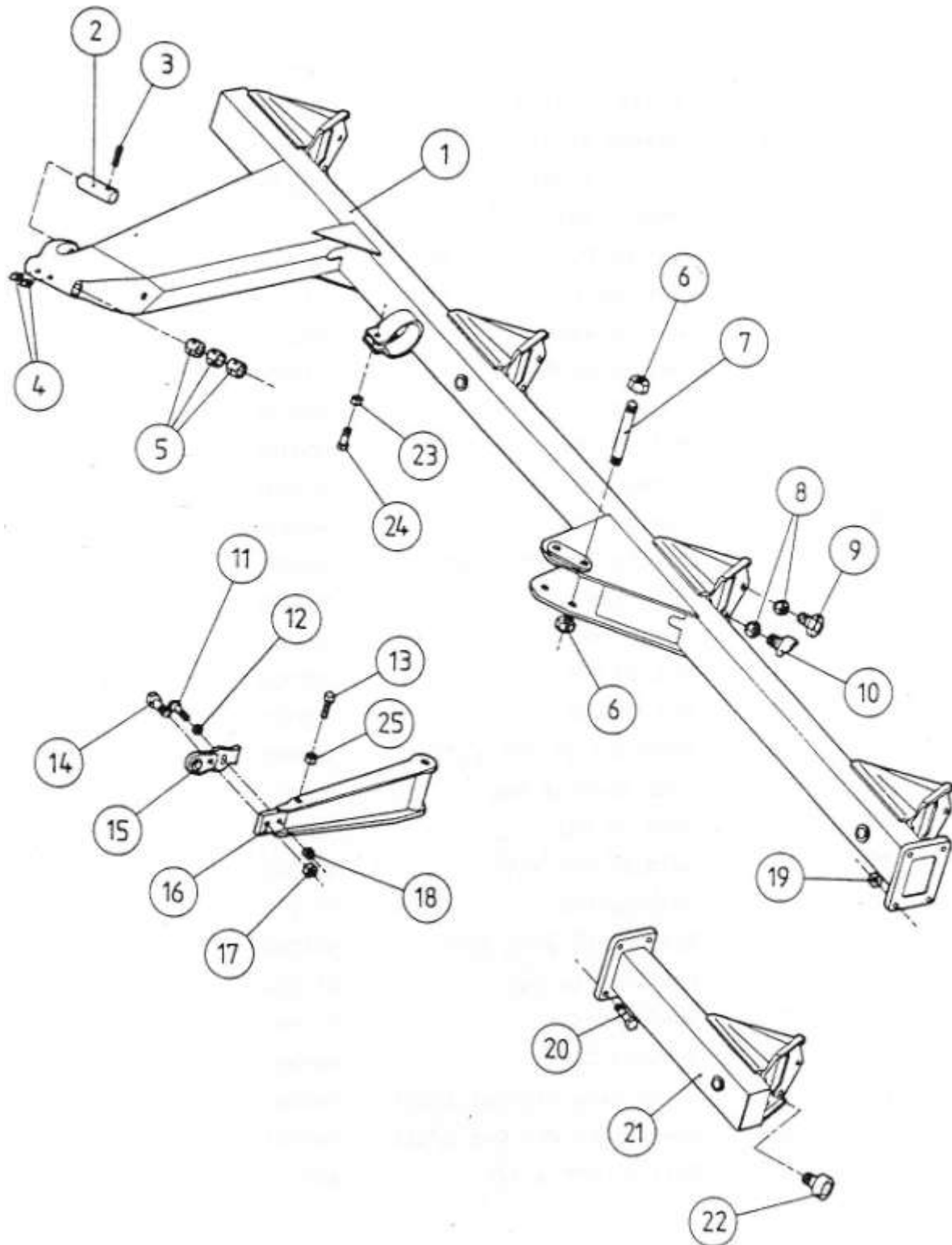
DP1 RESET 'A' FRAME



DP1 RESET 'A' FRAME

<u>ITEM</u>	<u>QTY</u>	<u>DESCRIPTION</u>	<u>PART NO</u>
1	1	Top Link Pin Cat. 2	145300
2	1	Top Link Pin Cat. 3	145400
3	2	Bolt 1/2" UNF x 3/4"	900031
4	2	Washer	900171
5	2	Plain Bearing	900347
6	4	Grease Nipple	900431
7	2	Thruat Washer	012700
8	1	Rocker Box	012300
9	1	Spring Pin 5/16" x 1 1/2"	900282
10	1	Tope Ram Pin	012400
11	6	Spring Washer	900195
12	4	Retaining Peg	012500
13	4	'R' Clip	900521
14	6	Nut 1/2" UNF	900105
15	1	Backplate	053900
16	4	Linch Pin	900526
17	1	Spring Pin 3/8" x 2 1/4"	900287
18	1	'A' Frame	031300
19	1	Pivot Pin	032100
20	3	Nut 5/8" UNF	900106
21	2	Nut 3/4" UNF	900107
22	2	Setscrew 3/4" UNF x 3"	900083
23	2	Self Locking Nut	900112
24	1	Stud 1" UNF	900506
25	3	Bolt 5/8" UNF x 4"	900045
26	1	Pulling Pin	011700
27	1	Spring Pin 3/8" x 3"	900288
28	1	Pulling Pin Nut	011600
29	1	Spade Handle	011500
30	2	Support Leg	060900
31	2	Lower Link Pin Cat 2/2/3	149800
31a	2	Lower Link Pin Cat 2/3/3	145500
32	6	Bolt 1/2" UNF x 1 3/4"	900034

DP1 RESET MAIN BEAM



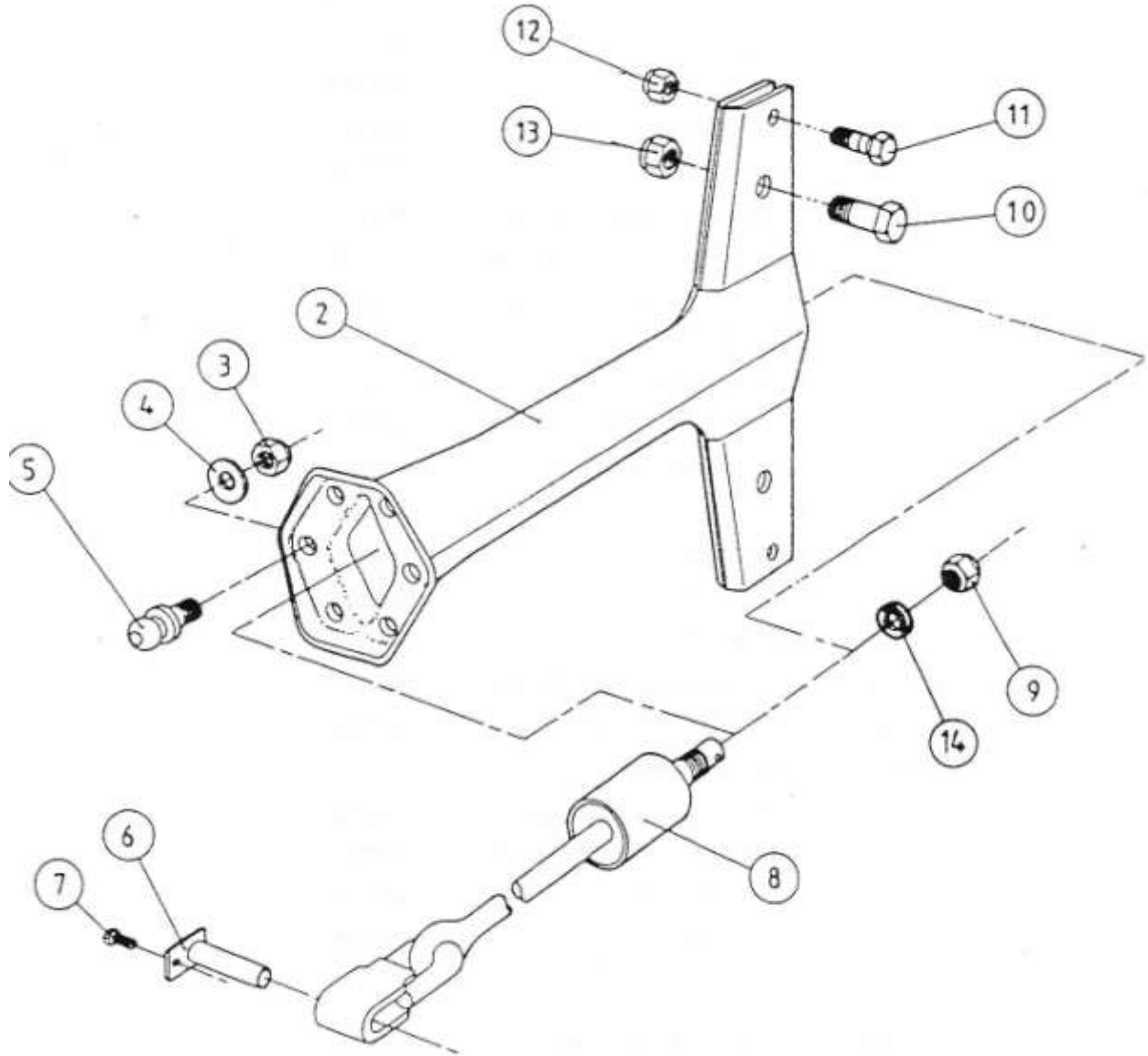
DP1 RESET MAIN BEAM

<u>ITEM</u>	<u>QTY</u>	<u>DESCRIPTION</u>	<u>PART NO</u>
1	1	Main Beam	-
2	1	Bottom Ram Pin	032200
3	1	Spring Pin 3/8" x 2 1/4"	900287
4	2	Grease Nipple	900431
5	3	Bush	900373
6	2	Self Locking Nut	900112
7	1	Stud 1" UNF	900506
8	5*	Self Locking Nut 3/8" UNF	900111
9	1*	Pivot Cup - Short - Offside	120100
10	4*	Pivot Cup - Bevelled - Top/Bottom	120000
11	1	Bolt 5/8" x 2 1/2"	900043
12	1	Plain Washer 5/8"	900172
13	2	Setscrew 1/2" UNF x 3"	900081
14	1	Bolt 3/4" UNF x 2 1/2"	900053
15	1	Ball Joint	030400
16	1	Wheel Arm	086400
17	1	Nut 3/4" UNF	900107
18	1	Nut 5/8" UNF	900106
19	As req.	Self Locking Nut 3/4" UNF	900111
20	As req.	Bolt 3/4" UNF x 3"	900055
21	As req.	Extension Beam	-
22	1*	Pivot Cup - Long - Inside	134200
23	1+	Setscrew 5/16" UNF	900085
24	1+	Nut 5/16" UNF	900102
25	2	Nut 1/2" UNF	900105

* These quantities are per furrow

+ These quantities are per accumulator bottle

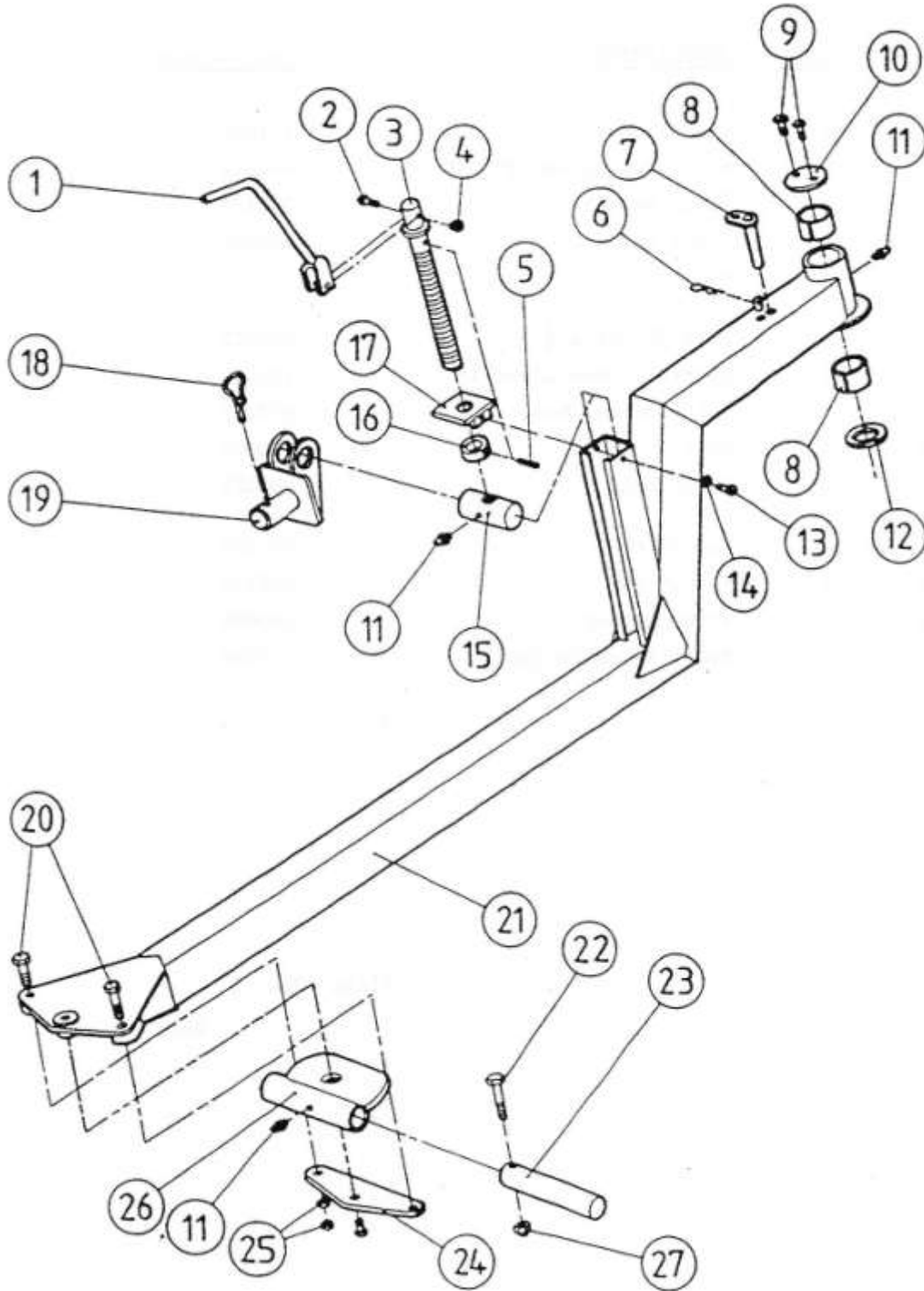
DP1 RESET LEG BRACKET ASSEMBLY



DP1 RESET LEG BRACKET ASSEMBLY

<u>ITEM</u>	<u>QTY</u>	<u>DESCRIPTION</u>	<u>PART NO</u>
2	1	Leg Bracket	131000
3	6	Self Locking Nut 3/4" UNF	900111
4	6	Plain Washer	900178
5	6	Pivot Ball	120200
6	1	Pin	131500
7	1	Bolt 3/8" UNF x 3/4"	900022
8	1	Hydraulic Ram Assembly	130500
9	1	Self Locking Nut	900112
10	2	Bolt 1" x 3 1/4"	900063
11	2	Shear Bolt	900481
12	2	Nut 5/8" UNC	900496
13	2	Nut 1" UNF	900109
14	1	Pivot Washer	260900
-	1	Reset Assembly Bar	138100

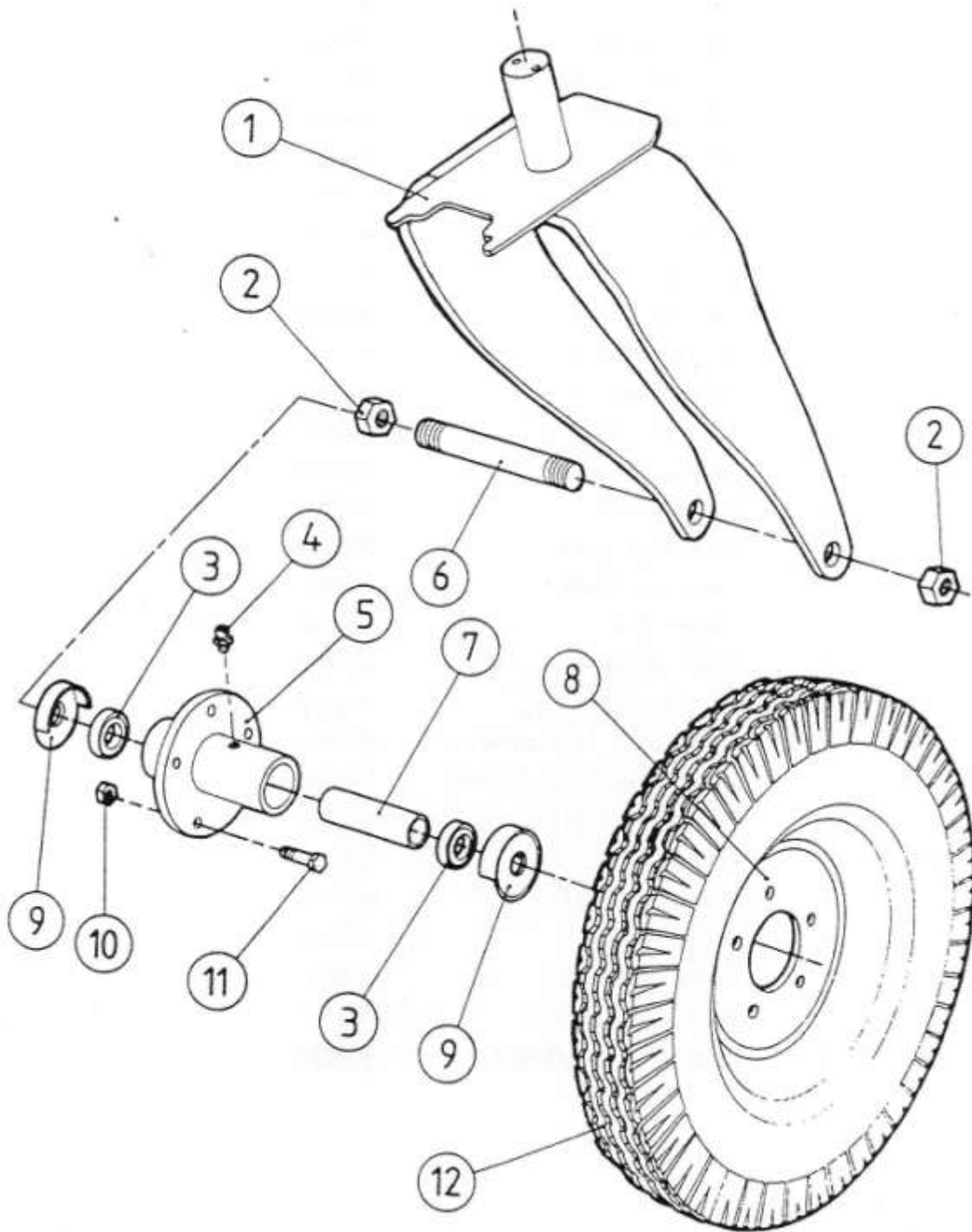
DP1 RESET WHEEL BEAM



DP1 RESET WHEEL BEAM

<u>ITEM</u>	<u>QTY</u>	<u>DESCRIPTION</u>	<u>PART NO</u>
1	1	Handle	003100
2	1	Bolt 5/16" UNF x 2"	900014
3	1	Depth Screw	080000
4	1	Nut 5/16"	900102
5	1	Spring Clip 5/16" x 1 1/2"	900282
6	1	'R' Clip	900521
7	1	Slew Pin	008500
8	2	Bush	900345
9	2	Bolt 1/2" UNF x 3/4"	900031
10	1	Yoke Retainer	008600
11	3	Grease Nipple	900431
12	1	Thrust Washer	900361
13	2	Bolt 3/8" UNF x 3/4"	900022
14	2	Spring Washer	900193
15	1	Slide Shaft	002800
16	1	Retaining Boss	002200
17	1	Location Plate	002900
18	1	Linch Pin	900526
19	1	Slide Bracket	002500
20	2	Bolt 1/2" UNF x 2 1/2	900038
21a	1	Wheel Beam (4 Furrow)	002400
21b	1	Wheel Beam (5/6 Furrow)	113400
22	1	Bolt 3/8" UNF x 2"	900026
23	1	Pivot Pin	009300
24	1	Retaining Plate	003800
25	4	Nut 1/2" UNF	900105
26	1	Swinging Pivot	003200
27	1	Self Locking Nut	900115
28	1	Bolt 1/2" x 3/4" UNF	900031

DP1 RESET WHEEL BEAM



DP1 RESET WHEEL BEAM

<u>ITEM</u>	<u>QTY</u>	<u>DESCRIPTION</u>	<u>PART NO</u>
1	1	Wheel Yoke	081100
2	2	Self Locking nut	900112
3	2	Ball Bearing	900322
4	1	Grease Nipple	900431
5	1	Wheel Hub	089100
6	1	Axle Shaft	027100
7	1	Spacer Tube	027200
8	1	Wheel Arm	900586
9	2	Dirt Seal	027300
10	5	Locking Wheel Nut	900493
11	5	Bolt 3/8" UNF x 1 1/2"	900042
12	1	Tyre 10.0 - 16	900565
-	1	Inner Tube	900631
-	-	Wheel Assembly (Items 8 & 12) (5, 7 and 4)	106000

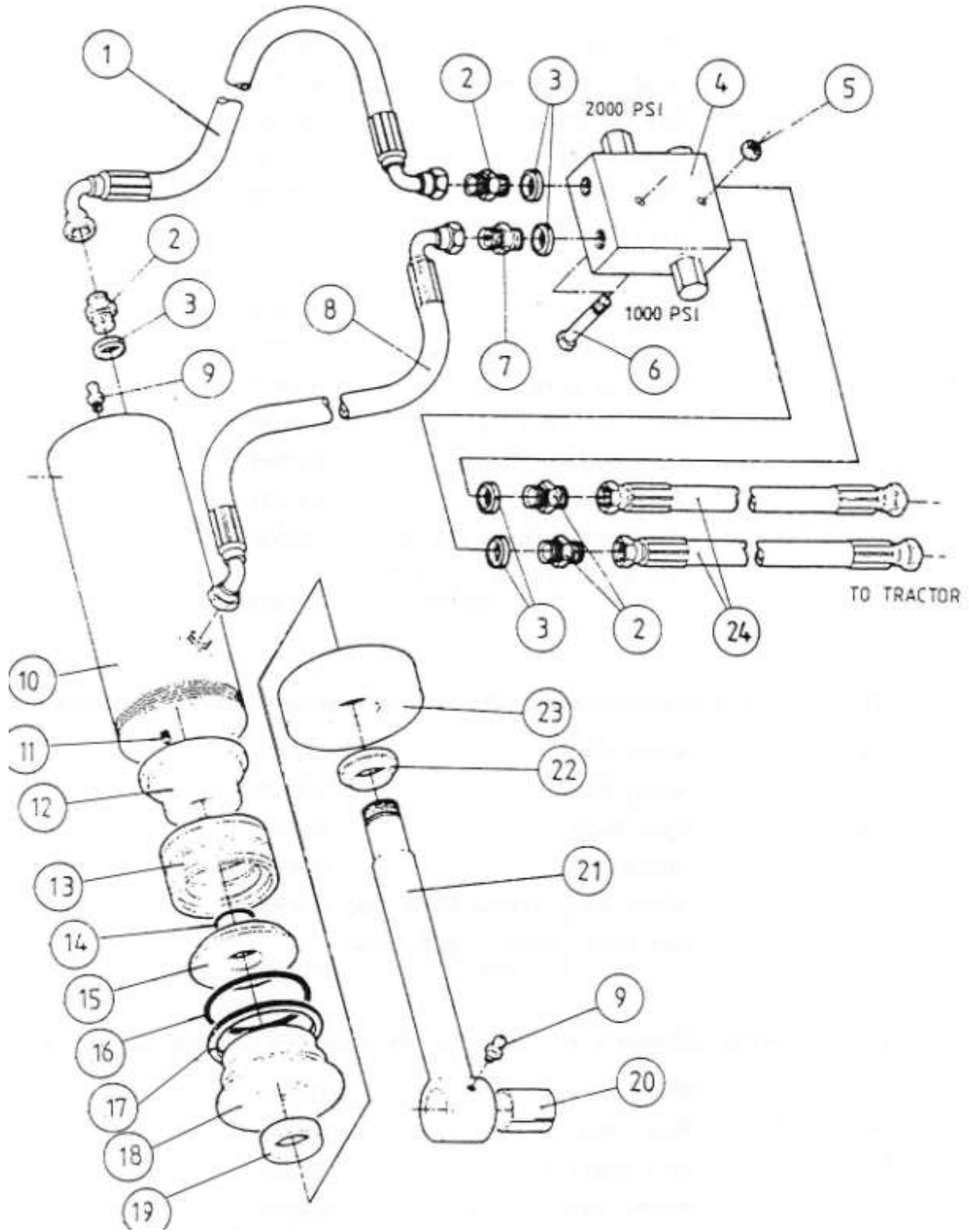
The following alternatives refer to the optional Heavy Duty Wheel:

5a	1	Wheel Hub	026900
8a	1	Wheel Rim	900584
12a	1	Tyre 9.00 - 16	900563
-	1	Inner Tube	900579
-	-	Wheel Assembly (Items 8a & 12a)	056300
-	-	Hub Assembly (Items 2, 6, 9, 3, 5a) (7 and 4)	037000

The following alternatives refer to the obsolete 6.00 - 16.00 Dunlop Wheel:-

1a	1	Wheel Yoke	008700
5b	1	Wheel Hub	032600
6a	1	Axle Shaft	008900
7a	1	Spacer Tube	009200

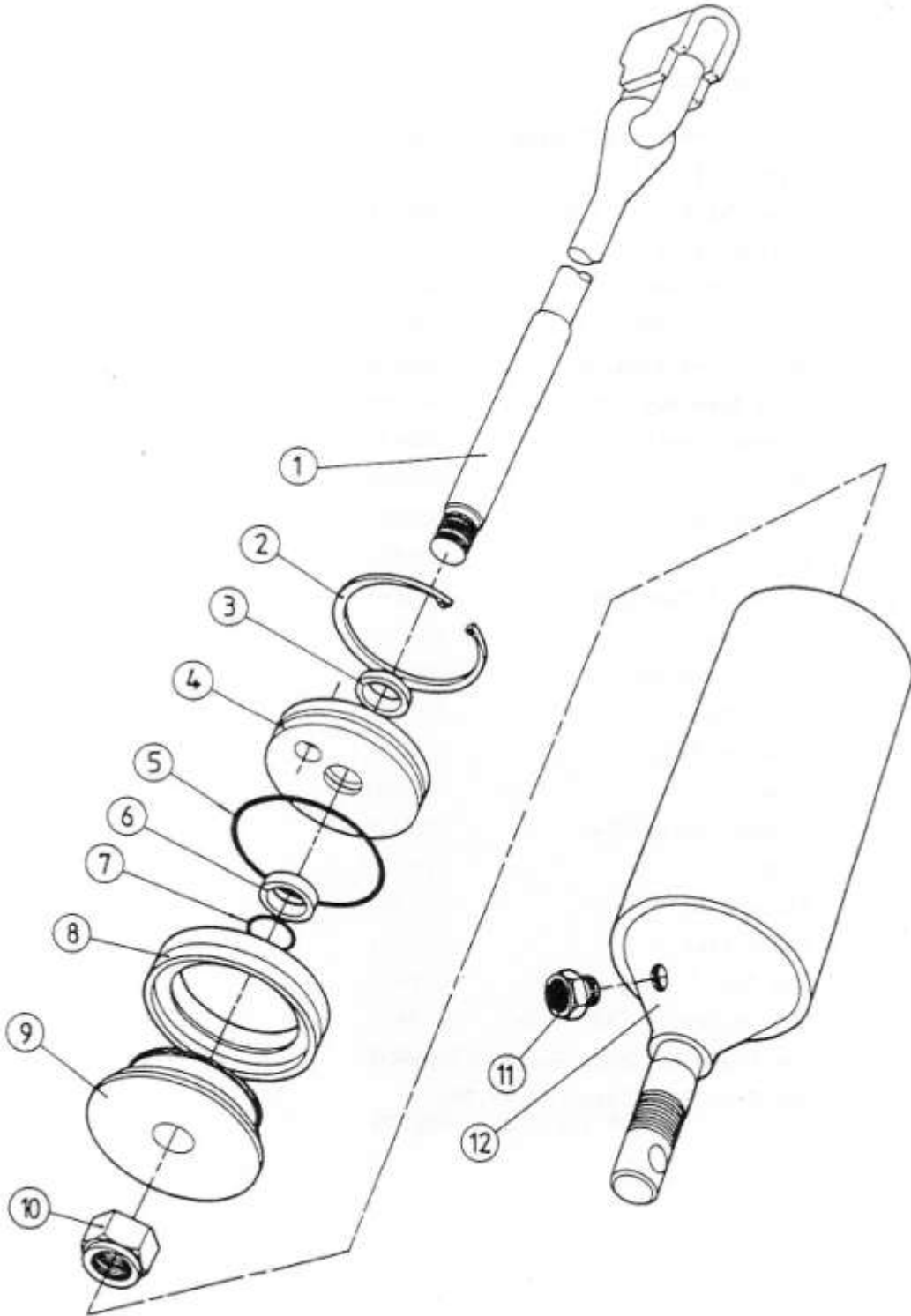
DP1 RESET TURNOVER HYDRAULICS



DP1 RESET TURNOVER HYDRAULICS

<u>ITEM</u>	<u>QTY</u>	<u>DESCRIPTION</u>	<u>PART NO</u>
1	1	Hose Assembly (25" Hose)	042000
2	4	Adaptor 3/8" BSP	900391
3	5	Dowty Washer 3/8" BSP	900301
4	1	Relief Valve	088500
5	2	Nut 5/16" UNF	900102
6	2	Bolt 5/16" UND x 2"	900014
7	1	Restricted Adaptor	900906
8	1	Hose Assembly (25" Hose)	042000
9	2	Grease Nipple	900431
10	1	Ram Tube	006800
11	1	Grubscrew	900151
12	1	Piston	006300
13	1	Doubke Acting Seal	900241
14	1	'O' Ring	900201
15	1	Piston Annulus	006400
16	1	'O' Ring	900203
17	1	Back-up Ring	900801
18	1	Plug	006500
19	1	Single Acting Seal	900221
20	1	Bush	900373
21	1	Piston Rod	018700
22	1	Wiper Seal	900261
23	1	End Cap	006600
24	2	Hose Assembly (42" Hose)	008400
	-	Ram Assembly (Items 9-23 inch)	005900
	-	Ram Seal Set (Items 13, 14, 16) (19 and 22)	052500

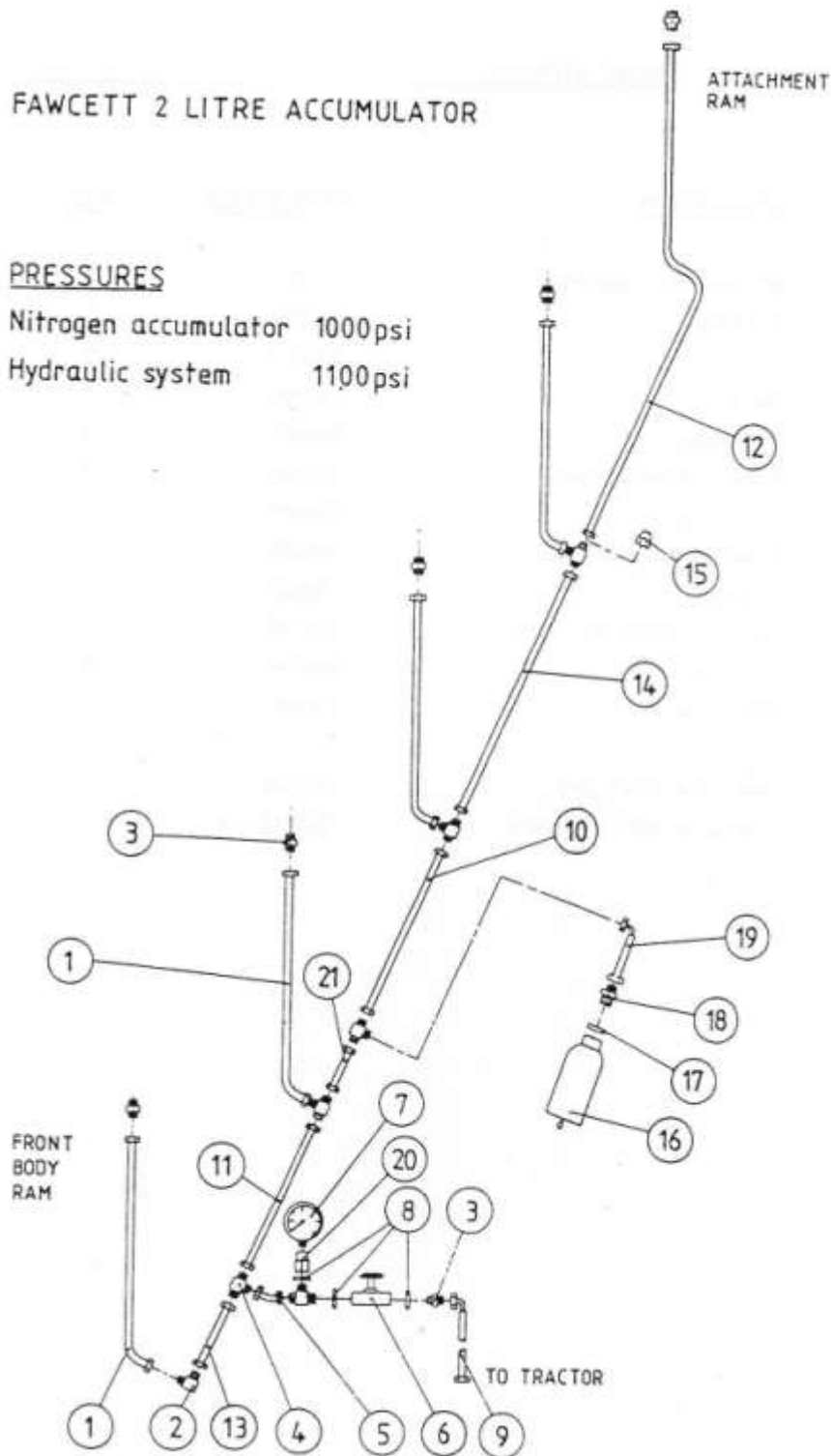
DP1 RESET HYDRAULIC RAM



DP1 RESET HYDRAULIC RAM

<u>ITEM</u>	<u>QTY</u>	<u>DESCRIPTION</u>	<u>PART NO</u>
1	1	Handle	003100
2	1	Circlip	900721
3	1	Wiper	900263
4	1	Bung	130700
5	1	'O' Ring	900204
6	1	Single Acting Seal	900225
7	1	'O' Ring	900209
8	1	Single Acting Seal	900226
9	1	Piston	130600
10	1	Self Locking Nut M24	900786
11	1	Breather	900741
12	1	Ram Tube	130900
-	-	Complete Seal Kit	132000
-	-	Complete Ram Assembly	130500

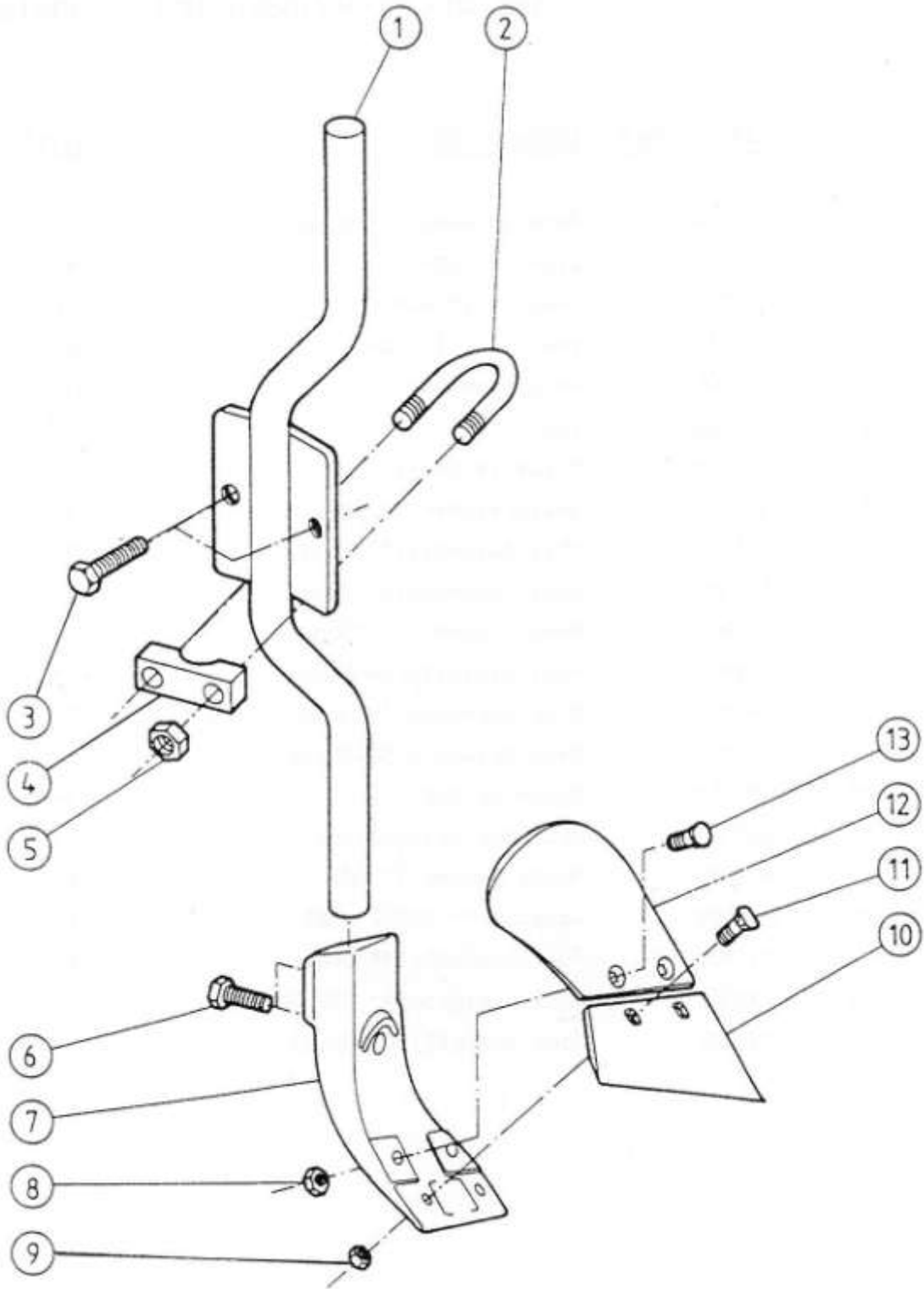
DP1 RESET HYDRAULICS



DP1 RESET HYDRAULICS

<u>ITEM</u>	<u>QTY</u>	<u>DESCRIPTION</u>	<u>PART NO</u>
1	4	Hose Assembly (35" Hose)	140000
2	1	Elbow 3/8" BSP	900757
3	5/6	Adaptor 3/8" BSP	900391
4	6	Tee Piece 3/8" HSP	900758
5	1	Hose Assembly	140500
6	1	Tap	900766
7	1	Pressure Gauge	900765
8	3	Dowty Washer 3/8" BSP	900301
9	1	Hose Assembly (84" Hose)	141400
10	1	Hose Assembly (23" Hose)	140300
11	1	Hose Assembly (14" Hose)	140200
12	-/1	Hose Assembly (69" Hose)	140700
13	1	Hose Assembly (14" Hose)	140200
14	1	Hose Assembly (30 1/2" Hose)	140400
15	1/-	Blanking Nut	900767
16	1	Nitrogen Accumulator	900761
17	1	Dowty Washer 1" BSP	900304
18	1	Adaptor 1" BSP / 3/8" BSP	900399
19	1	Hose Assembly (3" Hose)	151200
20	1	Female Adaptor 3/8" BSP / 1/4" BSP	900760
21	1	Hose Assembly 4 1/2" Hose)	140500

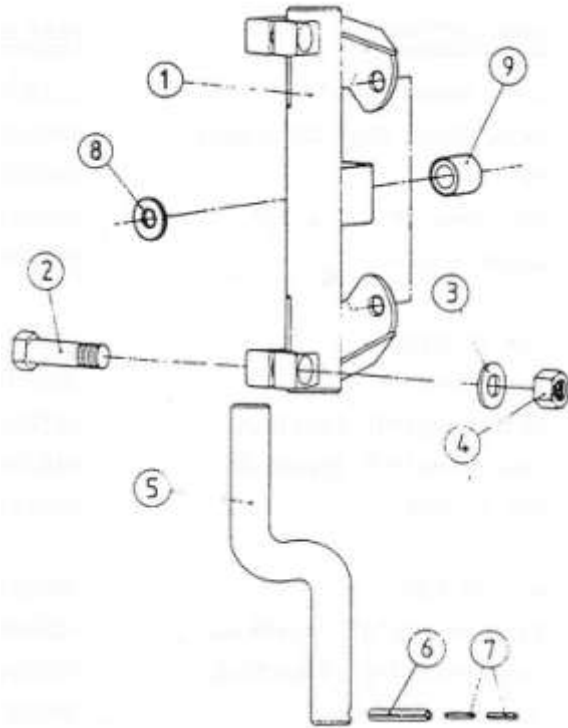
DP1 RESET SKIM



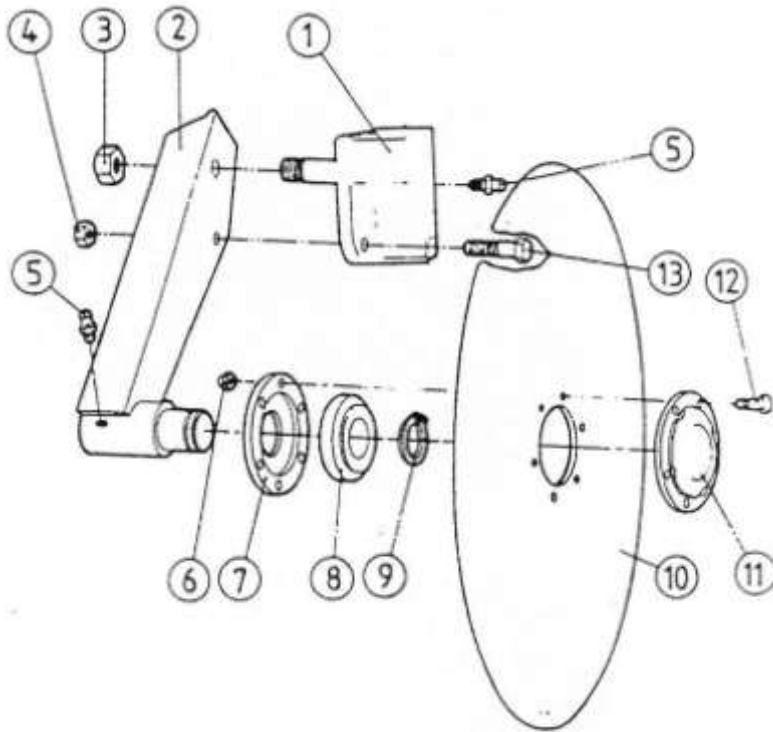
DP1 RESET SKIM

<u>ITEM</u>	<u>QTY</u>	<u>DESCRIPTION</u>	<u>PART NO</u>
1	1	Skim Shank	131900
-	-	Skim Shank High Clearance	289700
2	2	'U' Bolt	010700
3	2	Setscrew 5/8" UNC x 2 1/2"	900094
4	2	Clamp Block	010800
5	4	Nut 5/8" UNC	900496
6	2	Lockscrew	062700
7	1	Skim Frog ('J' Type) R.H.	048298
-	1	Skim Frog ('J' Type) L.H.	048299
8	4	Nut 3/8" UNF	900103
9	4	Nut 3/8" UNC	900498
10	1	Skim Point ('J' Type) R.H.	048098
-	1	Skim Point ('J' Type) L.H.	048099
11	4	Taper Head Bolt	900810
12	1	Skim Wing ('J' Type) R.H.	048198
-	1	Skim Wing ('J' Type) L.H.	048199
13	4	Countersunk Square Bolt	900141

DP1 RESET WHEEL BEAM



Disc Bracket



Disc Assembly

DP1 RESET DISC BRACKET

<u>ITEM</u>	<u>QTY</u>	<u>DESCRIPTION</u>	<u>PART NO</u>
1	1	Disc Bracket	13800
2	2	Bolt 5/8" UNF x 2 1/2"	900043
3	2	Plain Washer	900172
4	2	Nut 5/8" UNF	900106
5	2	Stalk	137900
5a	-	Long Disc Stalk 359 mm long	1018900
6	2	Spring Pin Ø10 x 60	900542
7	4	Spring Pin Ø6 x 30	900541
8	1	Plain Washer	900178
9*	3	Spacer	178200
10*	3	Bolt 3/4" UNF x 2 1/2"	900197
11*	3	Spring Washer 3/4"	900197

*Spring Reset Only

DP1 RESET DISC ASSEMBLY

1	1	Disc Arm Swivel R.H.	305698
-	1	Disc Arm Swivel L.H.	305699
2	As req.	Disc Arm 18" R.H.	052998
-	As req.	Disc Arm 18" L.H.	052999
2a	As req.	Disc Arm 20" R.H.	063698
-	As req.	Disc Arm 20" L.H.	063699
3	1	Nut 3/4" UNF	900107
4	1	Nut 1/2" UNF	900105
5	2	Grease Nipple	900431
6	6	Self Locking Nut 5/16" UNF	900144
7	1	Bearing Housing (Inner)	055000
8	1	Ball Bearing	900324
9	1	Circlip	900601
10	As req.	Disc – 18" Plain	052800
10a	As req.	Disc – 20" Plain	053000
10b	As req.	Disc – 18" Cutaway	063800
11	1	Bearing Housing (Outer)	054900
12	6	Bolt 5/16" UNF x 1 1/8"	900012
13	1	Shear Bolt	900483

DISC ASSEMBLIES (COMPRISING ITEMS 2, 6, 7, 8, 9, 10, 11, 12)

-	-	18" Plain R.H.	063998
-	-	18" Plain L.H.	063999
-	-	20" Plain R.H.	081898
-	-	20" Plain L.H.	081899
-	-	18" Cutaway	081998
-	-	18" Cutaway	081999