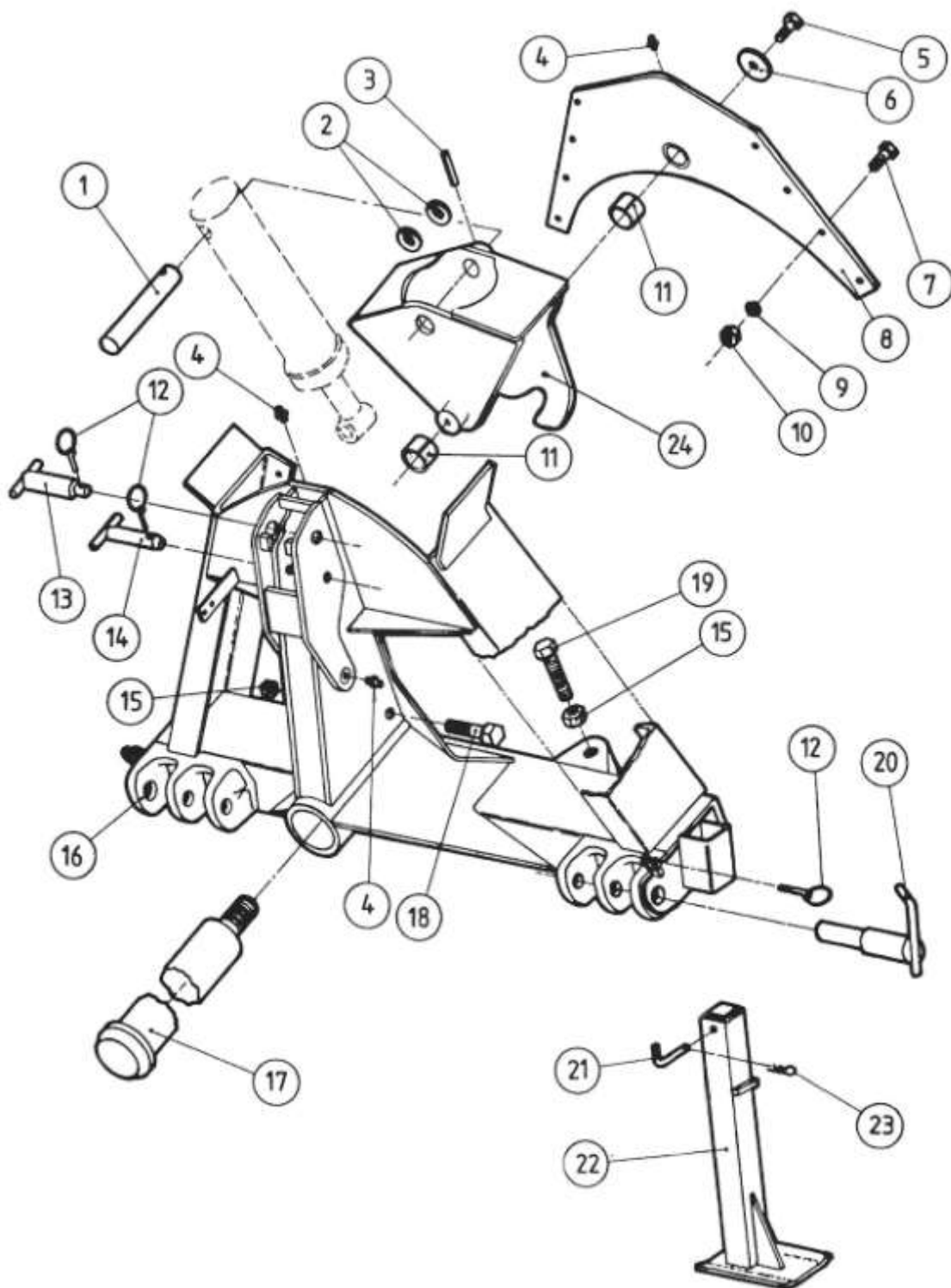


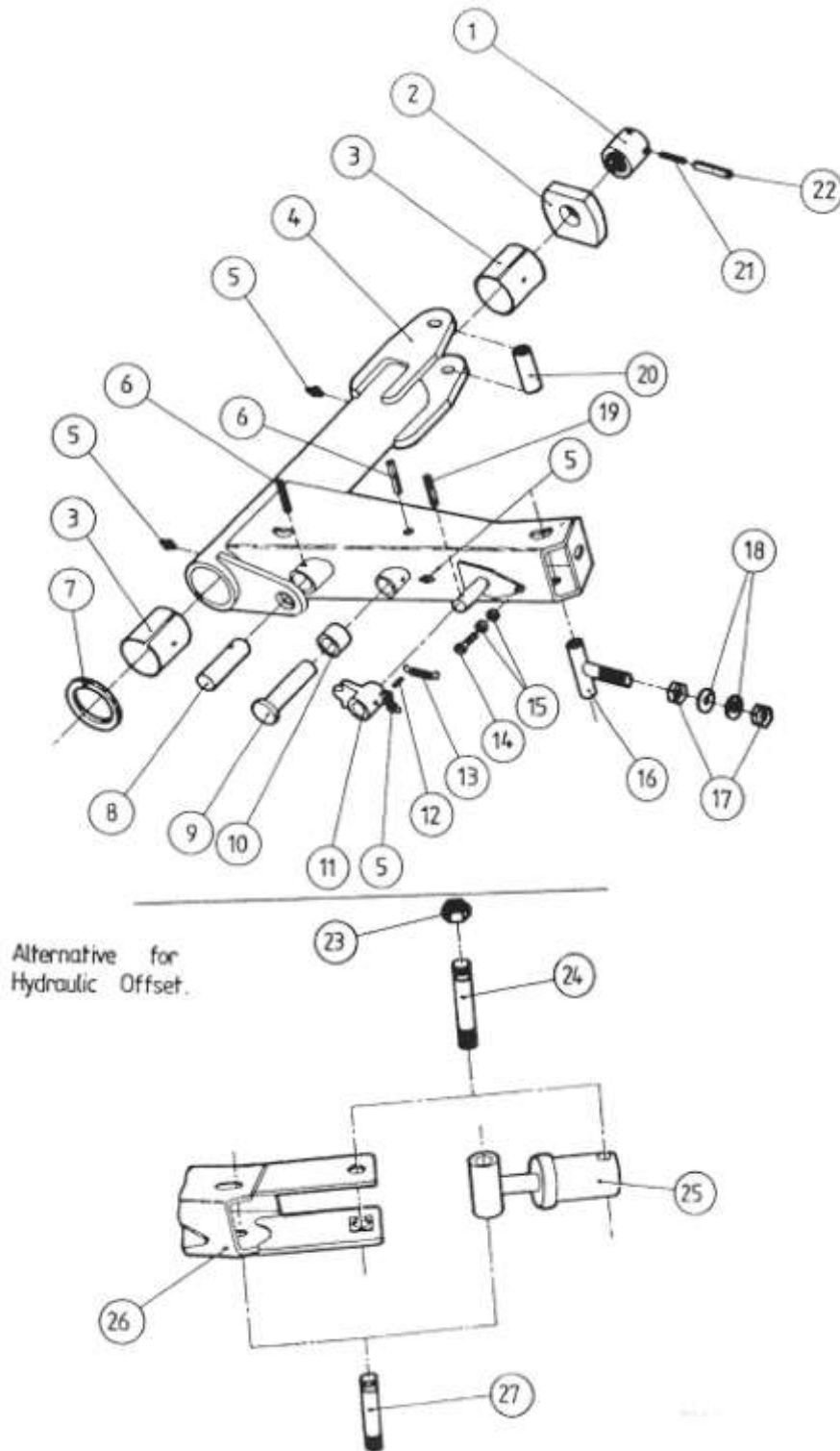
HEADSTOCK & MAINFRAME



HEADSTOCK

<u>ITEM</u>	<u>QTY</u>	<u>DESCRIPTION</u>	<u>PART NO</u>
1	1	Top Ram Pin (8 1/4")	144100
-	-	Top Ram Pin (7 3/4")	028600
2	As Req.	Thrust Washer	035700
3	1	Spring Pin 3/8" x 2"	900286
4	3	Grease Nipple	900431
5	2	Bolt 5/8" UNF x 1"	900041
6	2	Washer	900177
7	8	Bolt 1/2" UNF x 1 1/2"	900034
8	1	Backplate	119000
-	-	Backplate (Short Ram)	116100
9	8	Spring Washer 1/2"	900195
10	8	Nut 1/2" UNF	900105
11	2	Plain Bearing	900350
12	4	Linch Pin	900526
13	1	Top Link Pin Cat. 3	023100
13a	1	Top Link Pin Cat. 2	023000
14	1	Clapper Pin	022800
15	3	Nut 1" UNF	900109
16	1	Headstock	143900
17	1	Main Pivot Shaft	020400
18	1	Bolt 1" UNF x 5"	900066
19	2	Setscrew 1" UNF x 4"	900082
20	2	Bottom Link Pin	145600
21	2	Retaining Peg	012500
22	2	Support Leg	035800
23	2	'R' Cup	900521
24	1	Rocker	144000

TURNOVER ARM



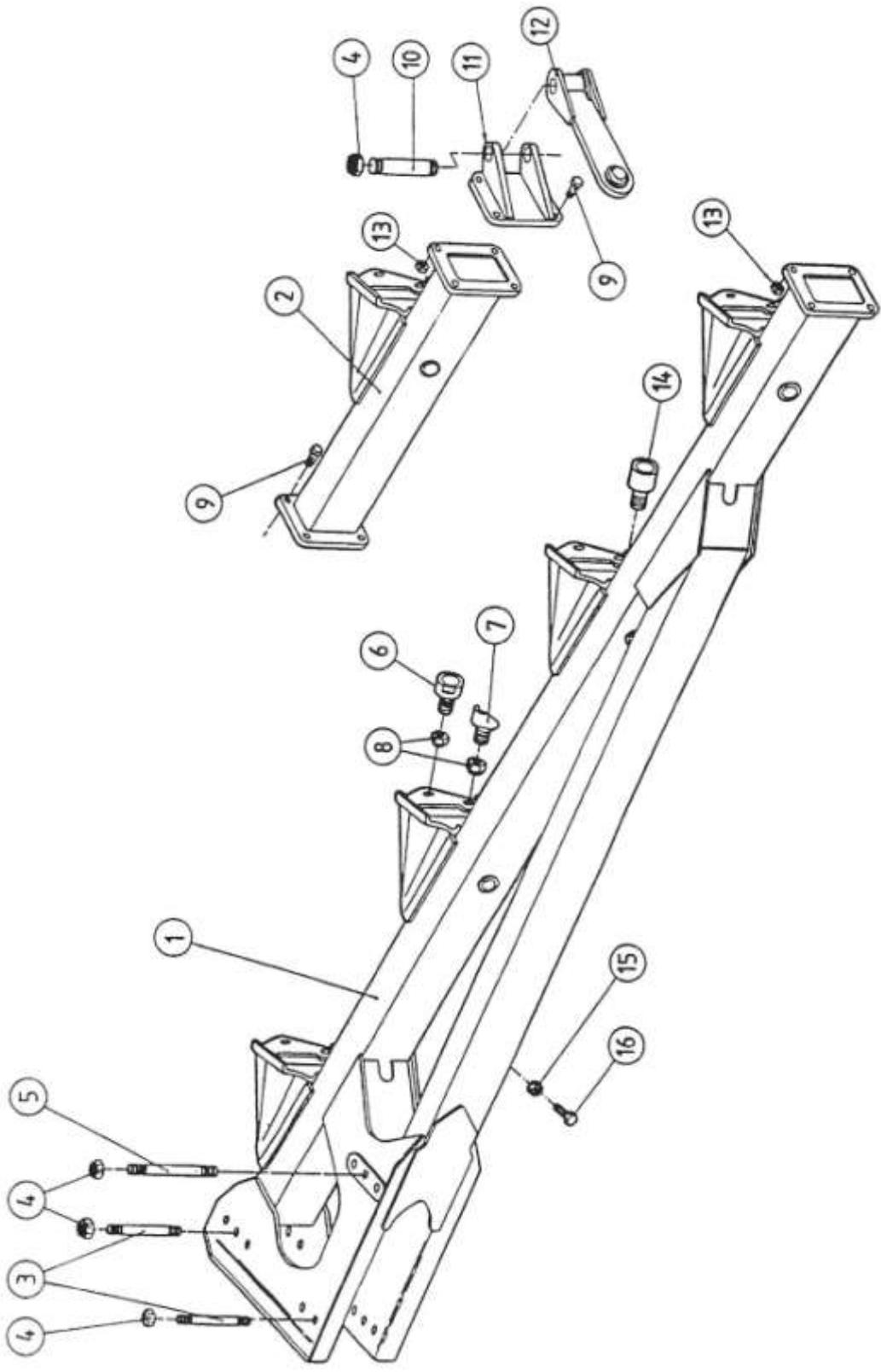
TURNOVER ARM

<u>ITEM</u>	<u>QTY</u>	<u>DESCRIPTION</u>	<u>PART NO</u>
1	1	Pulling Nut	011600
2	1	Washer Plate	022700
3	2	Plain Bearing	900353
4	1	Turnover Arm	118900
-	-	Turnover Arm (Short Ram)	021000
5	4	Grease Nipple	900431
6	2	Spring Pin 3/8" x 3"	900288
7	1	Thrust Washer	017700
8	1	Bottom Ram Pin	091200
9	1	Roller Pin	077300
10	1	Roller	077400
11	1	Swinging Latch	022200
12	1	Spring Pin 3/16" x 3/4"	900281
13	1	Tension Spring	900461
14	1	Bolt 1/4" UNF x 1 1/4"	900004
15	2	Nut 1/4" UNF	900101
16	1	Offset Adjuster	023500
17	2	Nut 1" UNF	900109
18	2	Washer	900174
19	1	Spring Pin 5/16" x 1 1/2"	900282
20	1	Spacer Tube	023600
21	1	Spring Pin 5/16" x 3"	900283
22	1	Spring Pin 1/2" x 3"	900289

Alternatives for Hydraulic Offset

23	4	Self Locking Nut 1" UNF	900112
24	1	Stud 1" UNF x 9 3/8"	900505
25	1	Offset Ram	250600
26	1	Turnover Arm	195600
27	1	Stud 1" UNF x 7 3/4"	900507

MAIN BEAM



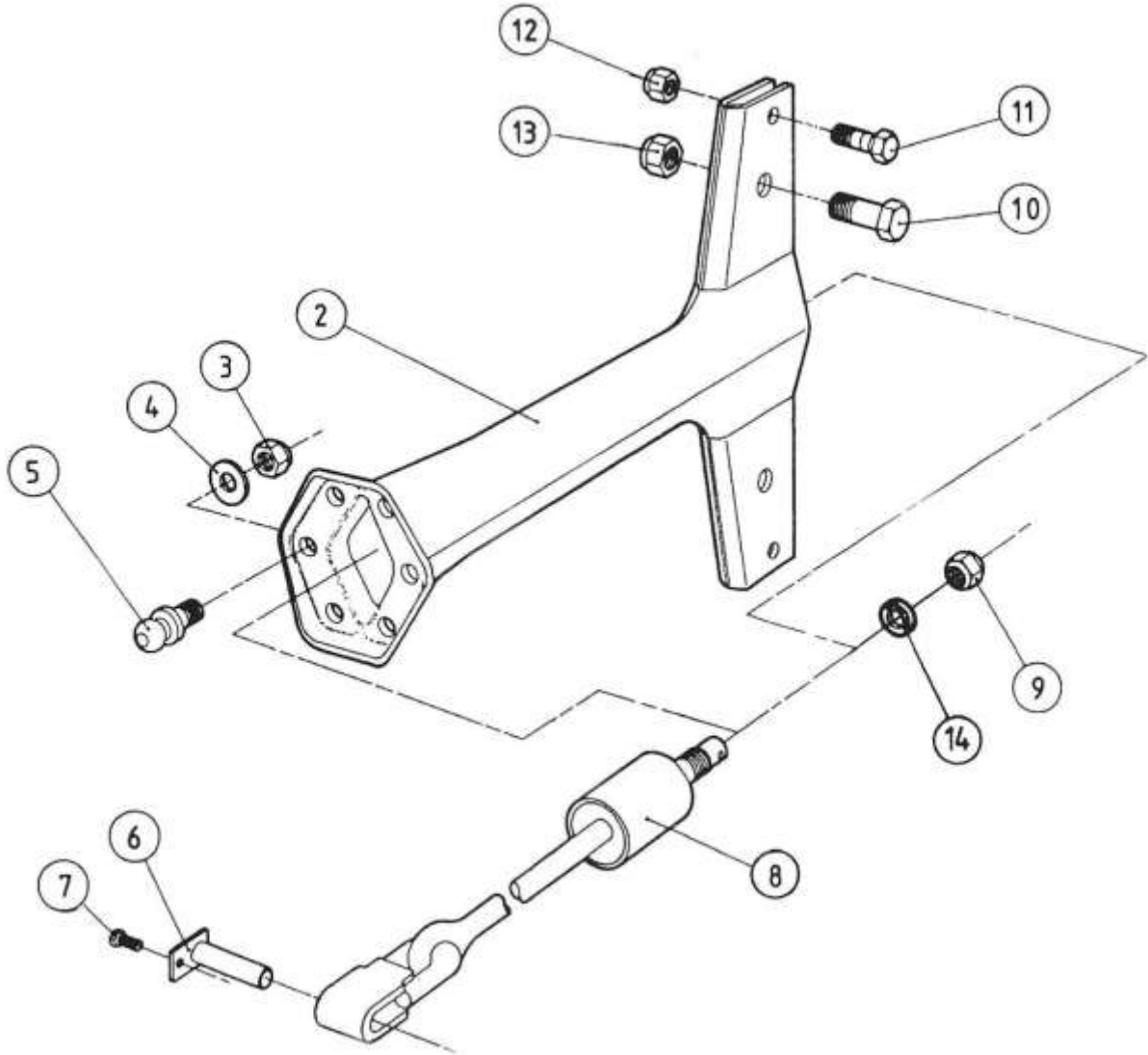
MAIN BEAM

<u>ITEM</u>	<u>QTY</u>	<u>DESCRIPTION</u>	<u>PART NO</u>
1	1	Main Beam	-
2	As Req.	Extension Beam	-
3	2	Stud 1" Dia. x 9 3/8"	900505
4	8	Self Locking Nut 1" UNF	900112
5	1	Stud 1" Dia. x 10"	900509
6	1*	Pivot Cup - Short - Offside	120100
7	4*	Pivot Cup - Bevelled - Top/Bottom	120000
8	5*	Self Locking Nut 3/4" UNF	900111
9	As Req.	Bolt 3/4" UNF x 3"	900055
10	1	Stud 1" Dia. x 8"	900504
11	1	Wheel Arm Bracket	133100
11a	1	Wheel Arm Bracket (Fitted to HD Plough 150 x 150mm Beam)	136800
12	1	Wheel Arm 9 1/2" CRS - Manual	134600
12a	1	Wheel Arm 14" CRS - Hydraulic	138300
13	As Req.	Self Locking Nut 3/4" UNF	900111
14	1*	Pivot Cup - Long - Inside	134200
15	1+	Nut 5/16" UNF	900102
16	1+	Set Screw 5/16" UNF x 2"	900085

* These quantities are per furrow

+ These quantities are per accumulator bottle.

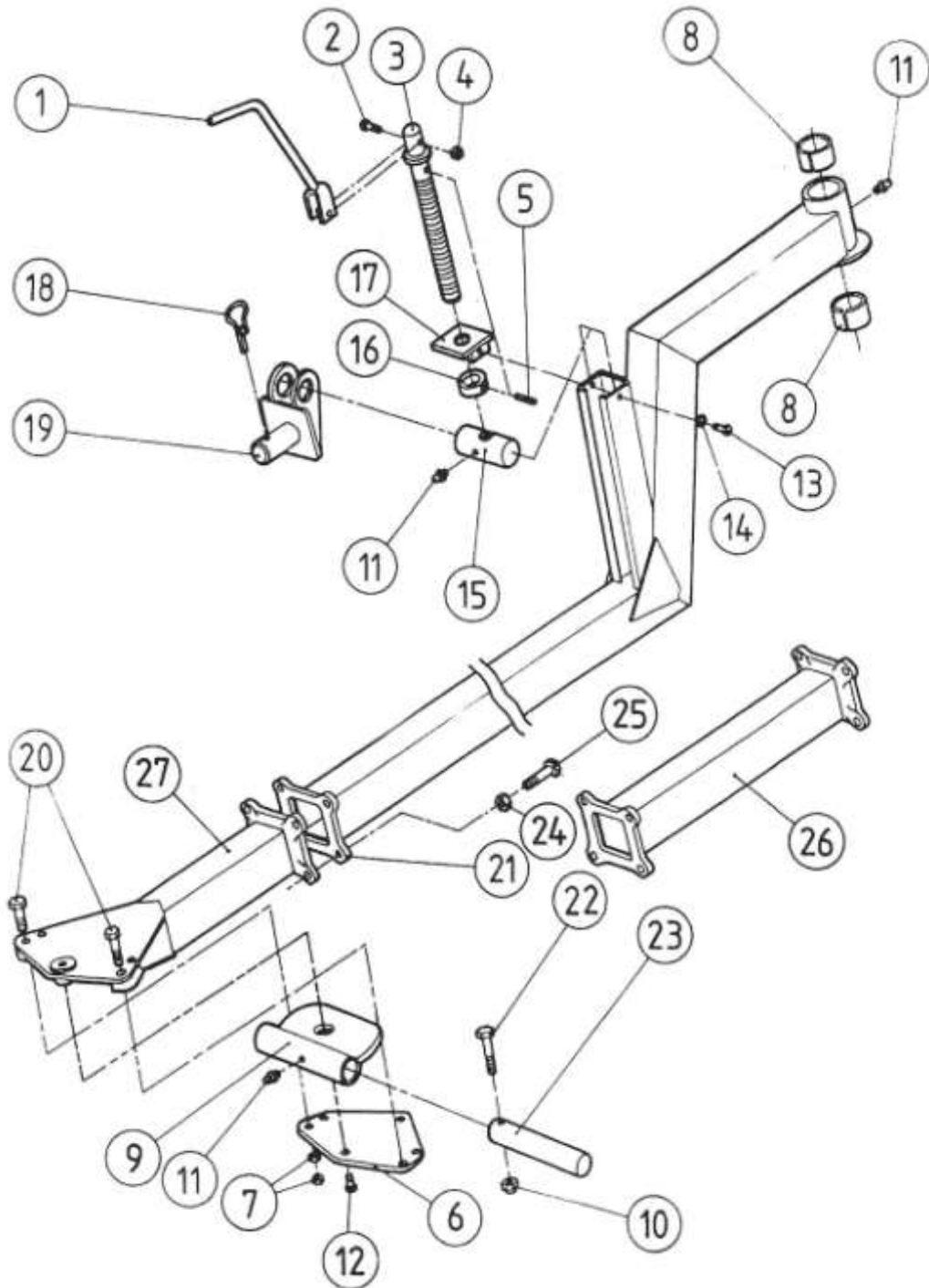
LEG BRACKET



LEG BRACKET

<u>ITEM</u>	<u>QTY</u>	<u>DESCRIPTION</u>	<u>PART NO</u>
2	1	Leg Bracket	131000
3	6	Self Locking Nut 3/4" UNF	900111
4	6	Plain Washer	900178
5	6	Pivot Ball	120200
6	1	Pin	131500
7	1	Bolt 3/8" UNF x 3/4"	900022
8	1	Hydraulic Ram Assembly	130500
9	1	Self Locking Nut	900112
10	2	Bolt 1" UNF x 3 1/4"	900063
11	2	Shear Bolt	900481
12	2	Nut 5/3" UNC	900496
13	2	Nut 1" UNF	900109
14	1	Pivot Washer	260900
-	1	Reset Assembly Bar	138100

MANUAL WHEEL BEAM

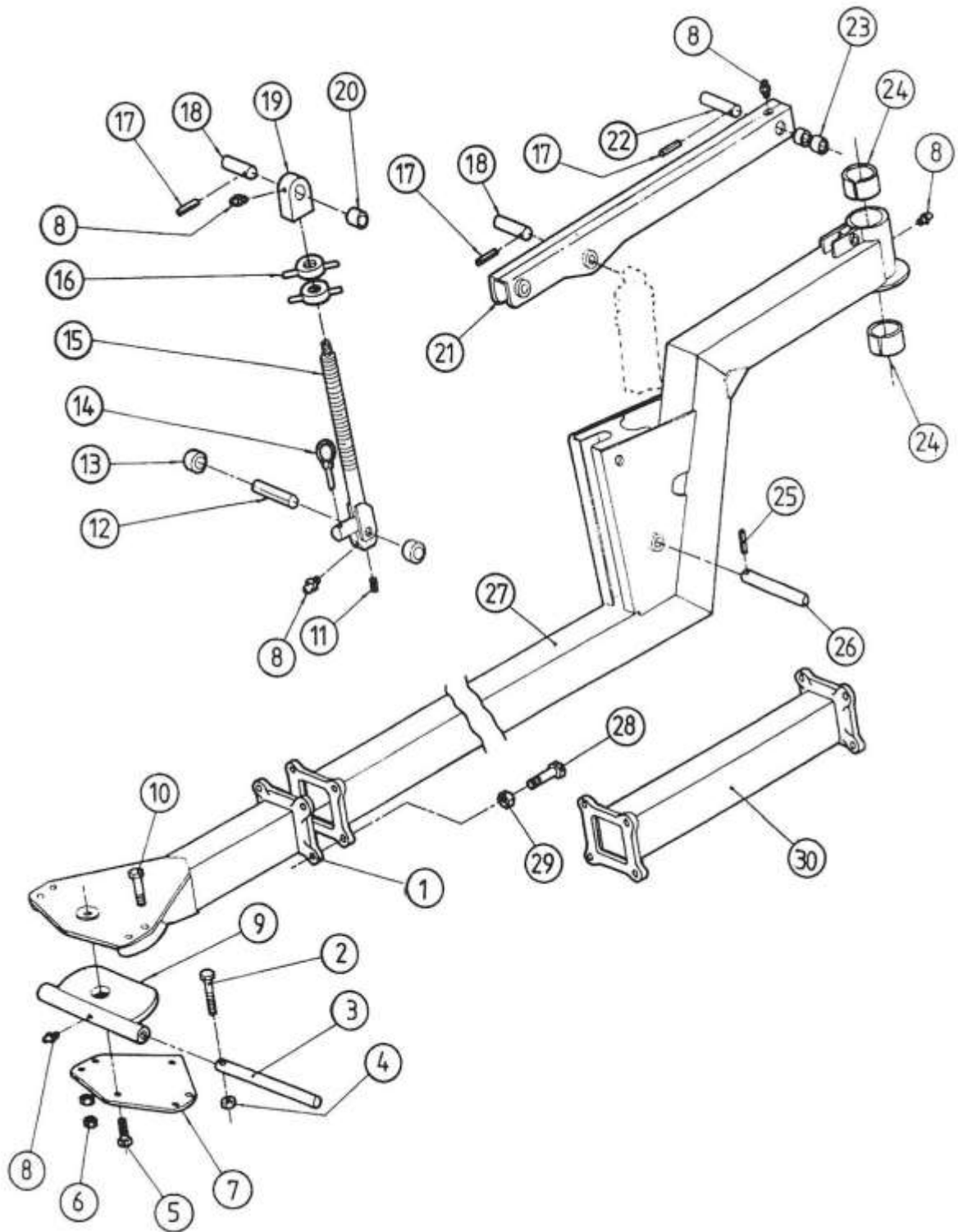


MANUAL WHEEL BEAM

<u>ITEM</u>	<u>QTY</u>	<u>DESCRIPTION</u>	<u>PART NO</u>
1	1	Handle	003100
2	1	Bolt 5/16" UNF x 2 1/2"	900016
3	1	Depth Screw	080000 (122700*)
4	1	Self Locking Nut 5/16" UNF	900114
5	1	Spring Pin 5/16" x 1 1/2"	900282
6	1	Keep Plate	026100
7	5	Nut 5/8" UNF Self Locking	900116
8	2	Plain Bearing	900352
9	1	Swinging Pivot	166200
10	1	Self Locking Nut 3/8" UNF	900115
11	3	Grease Nipple	900431
12	1	Bolt 5/8" UNF x 1"	900041
13	2	Bolt 3/8" UNF x 3/4"	900022
14	2	Spring Washer 3/8"	900193
15	1	Slide Shaft	002800
16	1	Retaining Collar	002200
17	1	Location Plate	088400
18	1	Linch Pin	900526
19	1	Slide Bracket	115800
20	5	Bolt 5/8" x 3"	900044
21	1	Wheel Beam	-
22	1	Bolt 3/8" UNF x 2 1/2"	900017
23	1	Pivot Pin	166300
24	As Req.	Nut 5/8" UNF	900106
25	As Req.	Bolt 5/8" UNF x 2 1/2"	900043
26	As Req.	Wheel Beam Extension	154200
26a	As Req.	Wheel Beam Extension H.C.	154300
27	1	Wheel Beam Pivot	154100

* Fitted on 4" extra depth wheel beams

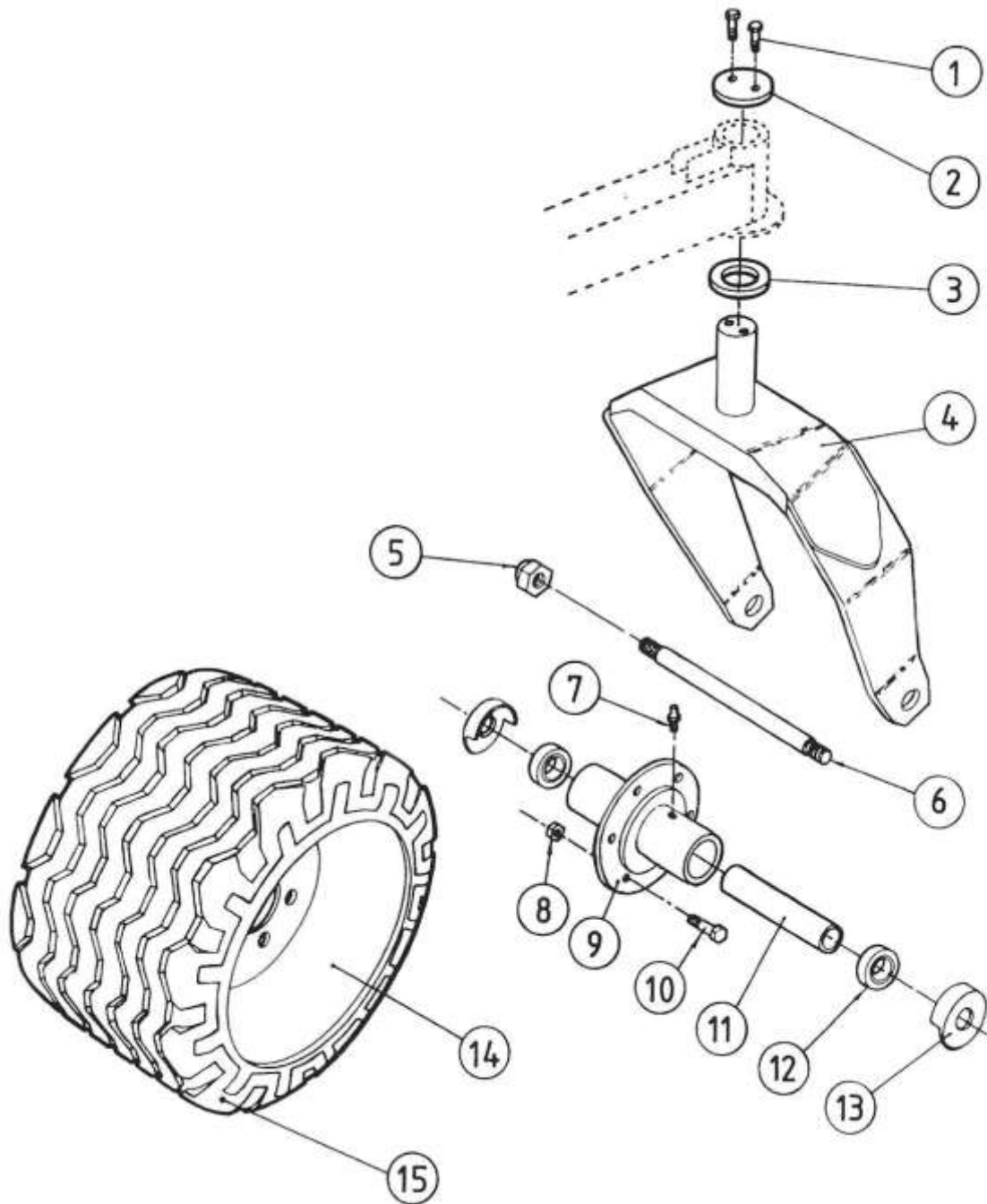
HYDRAULIC WHEEL BEAM



HYDRAULIC WHEEL BEAM

<u>ITEM</u>	<u>QTY</u>	<u>DESCRIPTION</u>	<u>PART NO</u>
1	1	Wheel Beam Pivot	154100
2	1	Bolt 3/8" UNF x 2 1/2"	900027
3	1	Pivot Pin	166300
4	1	Self Locking Nut 3/4" UNF	900115
5	1	Bolt 5/5" UNF x 1"	900041
6	5	Nut 5/8" UNF Self Locking	900116
7	1	Keep Plate	026100
8	5	Grease Nipple	900431
9	1	Swinging Pivot	166200
10	5	Bolt 5/8" UNF x 3"	900044
11	1	Socket Setscrew 1/4" UNF	900151
12	1	Roller Shaft	068100
13	2	Roller	067900
14	1	Linch Pin	900527
15	1	Adjuster Shaft	138200 (142600*)
16	2	Adjuster Nut	068200
17	3	Spring Pin 3/8" x 2"	900286
18	2	Pin	085100
19	1	Swivel Block	068500
20	1	Tension Bush	900373
21	1	Lift Arm	068700
22	1	Pin	085100
23	2	Tension Bush	900372
24	2	Plain Bearing	900352
25	1	Spring Pin 5/16" x 1 1/2"	900282
26	1	Pin	068400
27	1	Wheel Beam	-
28	As Req.	Bolt 5/8" UNF x 2"	900047
29	As Req.	Nut 5/8" UNF	900106
30	As Req.	Wheel Beam Extension	154200
31	As Req.	Wheel Beam Extension H.C.	154300

WHEEL YOKE



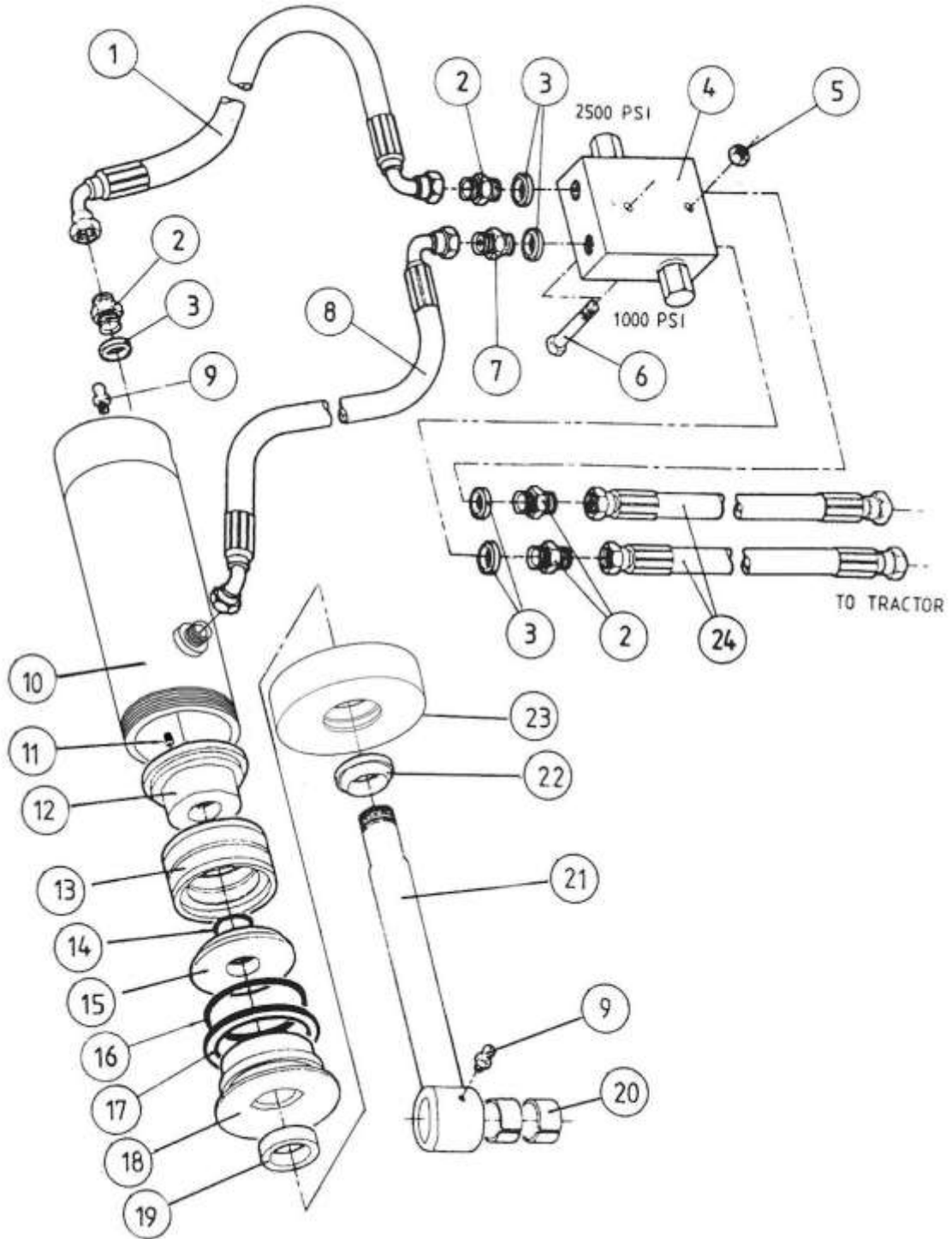
WHEEL YOKE

<u>ITEM</u>	<u>QTY</u>	<u>DESCRIPTION</u>	<u>PART NO</u>
1	2	Bolt 1/2" UNF x 3/4"	900031
2	1	Yoke Retainer	026800
3	1	Thrust Washer	060800
4	1	Yoke	038300
5	2	Self Locking Nut 1" UNF	900112
6	1	Axle Shaft	038000
7	1	Grease Nipple	900431
8	5	Wheel Nut 5/8" UNF	900493
9	1	Hub	089200
10	5	Bolt 5/8" UNF x 2"	900047
11	1	Spacer Tube	039500
12	2	Ball Bearing	900323
13	2	Dirt Seal	067600
14	1	Wheel	900587
15	1	Tyre	900568
-	-	Hub Assy (Items 5, 6, 7, 9, 11, 12 & 13)	106100
-	-	Wheel Assy (Items 14 & 15)	088900

The following alternatives are fitted to Heavy Duty Ploughs with a 150 x 150mm Main Beam.

4a	1	Yoke	064300
6a	1	Axle Shaft	064600
8a	6	Wheel Nut 3/4" UNF	900494
9a	1	Hub	064400
10a	6	Bolt 3/4" UNF x 2 1/2"	900053
11a	1	Spacer Tube	064500
14a	1	Wheel	900585
15a	1	Tyre	900566
-	-	Hub Assy (Items 5,6a,7,9a,11a,12a &13a)	090000
-	-	Wheel Assy (Items 14a & 15a)	064700

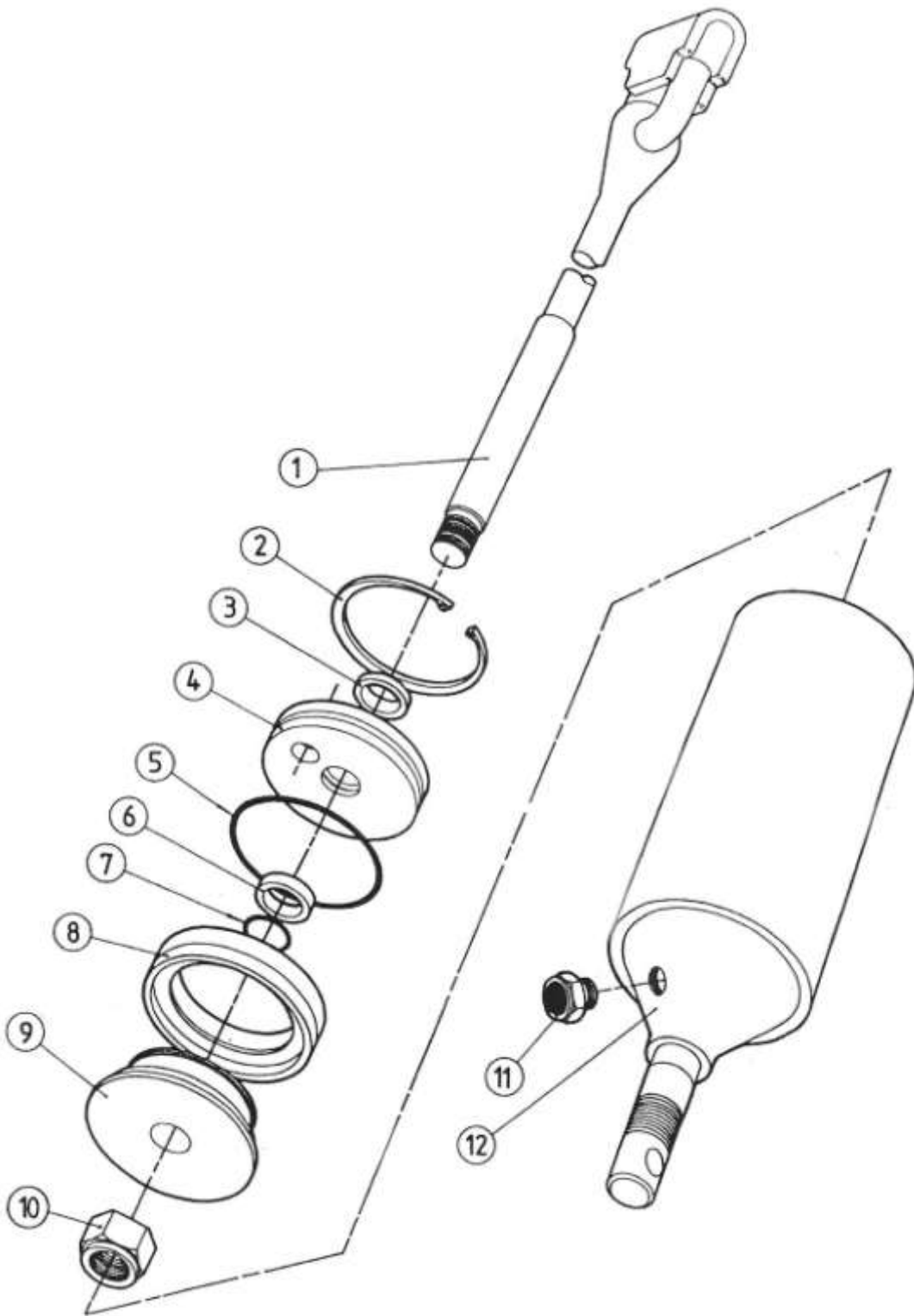
TURNOVER HYDRAULICS



TURNOVER HYDRAULICS

<u>ITEM</u>	<u>QTY</u>	<u>DESCRIPTION</u>	<u>4 1/2" Bore Long</u>	<u>4 1/2" Bore Short</u>	<u>4" Bore Short</u>
1	1	Hose Assembly (32" Hose)	042100	-	-
2	4	Adaptor 3/8" BSP	900391	-	-
3	5	Dowty Washer 3/8" BSP	900301	-	-
4	1	Relief Valve	088600	-	-
5	2	Nut 5/16" UNF	900102	-	-
6	2	Bolt 5/6" UNF x 2"	900014	-	-
7	1	Restricted Adaptor	900907	-	-
8	1	Hose Assembly (30" Hose)	153100	-	-
9	2	Grease Nipple	900431	-	-
10	1	Ram Tube	119300	086000	015400
11	1	Socket Setscrew 1/4" UNF	900151	-	-
12	1	Piston	048900	048900	015700
13	1	Double Acting Seal	900243	900243	900242
14	1	'O' Ring	900202	-	-
15	1	Piston Annulus	049000	049000	015600
16	1	'O' Ring	900205	900802	900204
17	1	Back-Up Ring	900802	900802	900800
18	1	Plug	048800	048800	015300
19	1	Single Acting Seal	900222	-	-
20	2	Tension Bush	900372	-	-
21	1	Piston Rod	119400	018600	018600
22	1	Wiper Seal	900262	-	-
23	1	End Cap	049200	049200	015200
24	2	Hose Assembly (42" Hose)	008400	-	-
-	-	Ram Seal Set (Items 13, 14, 16, 19 & 22)	073600	073600	052700
-	-	Ram Assembly (Items 9 - 23 Incl.)	119100	086300	005400

RESET HYDRAULIC RAM



RESET HYDRAULIC RAM

<u>ITEM</u>	<u>QTY</u>	<u>DESCRIPTION</u>	<u>PART NO</u>
1	1	Piston Rod Assembly	131200
2	1	Circlip	900721
3	1	Wiper	900263
4	1	Bung	130700
5	1	'O' Ring	900204
6	1	Single Acting Seal	900225
7	1	'O' Ring	900209
8	1	Single Acting Seal	900226
9	1	Piston	130600
10	1	Self Locking Nut M24	900786
11	1	Breather	900741
12	1	Ram Tube	130900
-	-	Complete Seal Set	132000
-	-	Complete Ram Assembly	130500

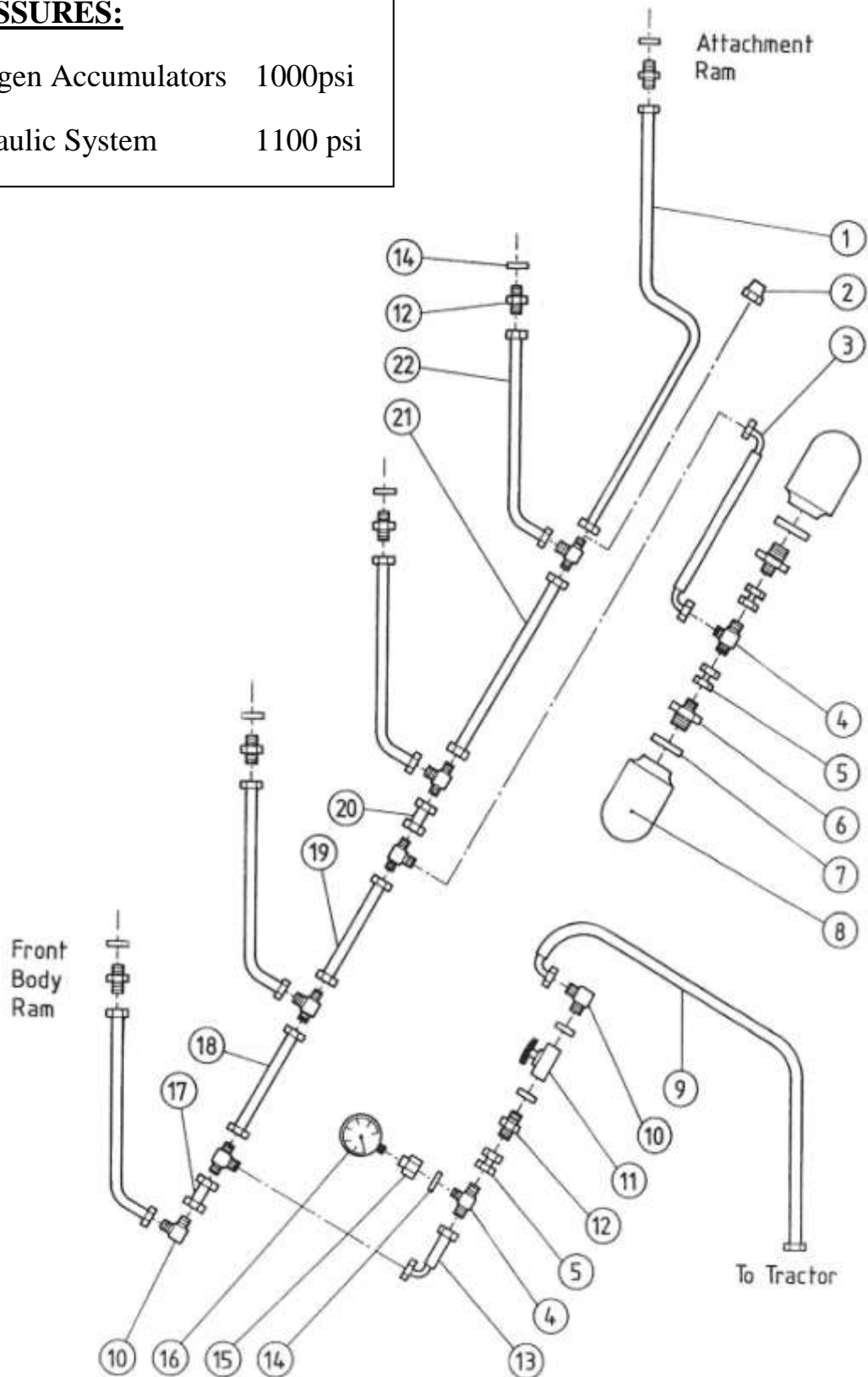
RESET HYDRAULICS

Christie 1 litre Accumulators

PRESSURES:

Nitrogen Accumulators 1000psi

Hydraulic System 1100 psi

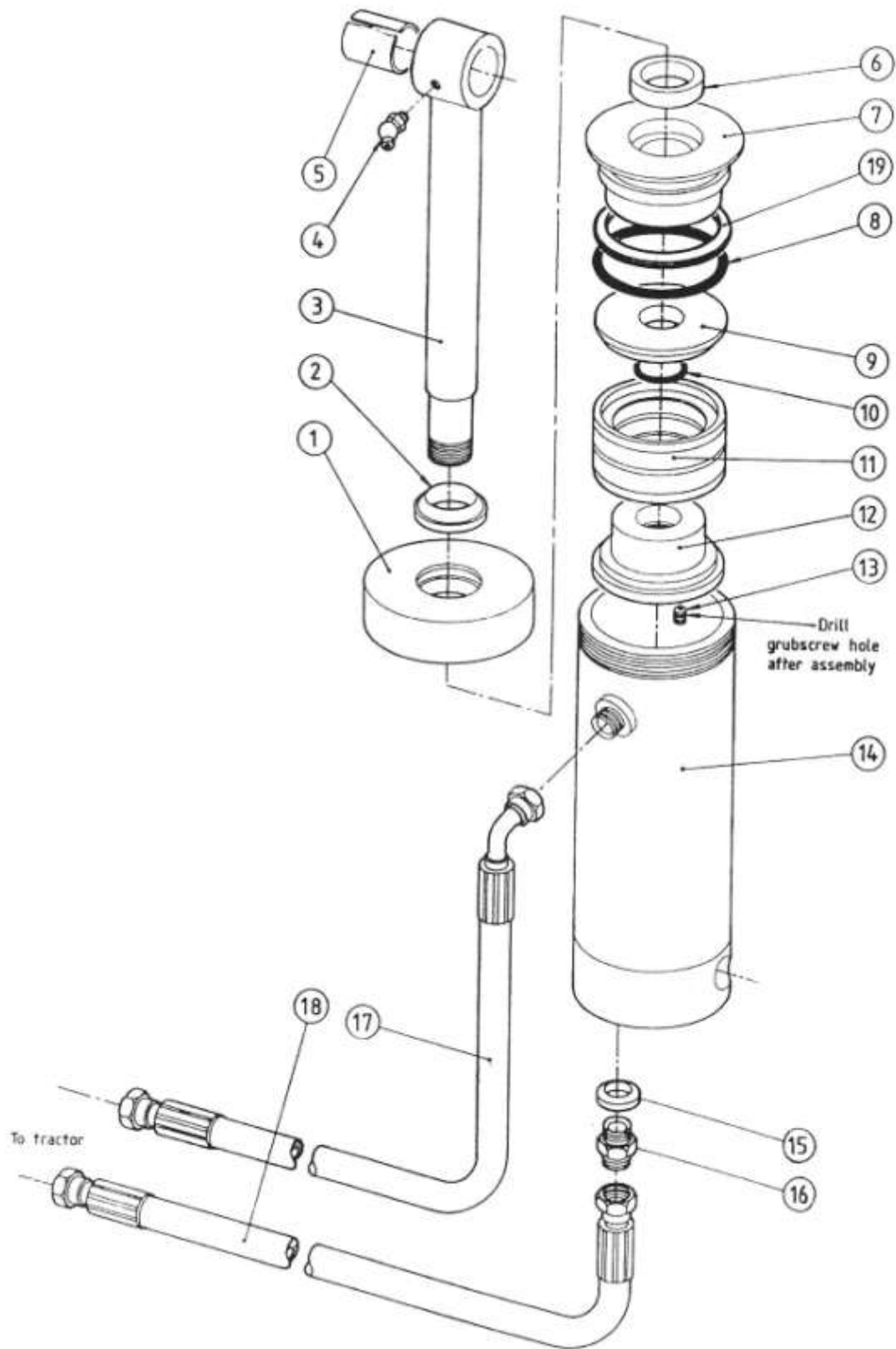


RESET HYDRAULIC RAM

Item	Qty 4/5 Furrow	Qty 5/6 Furrow	Description	Part No
1	-/1	-	Hose Assembly (69" Hose)	140700
1a*	-/1	-/1	Hose Assembly (71" Hose)	140800
2	1/-	1/-	Blanking Nut	900767
3	1	-	Hose Assembly(21" Hose)	153400
3a	-	1	Hose Assembly (38" Hose)	153500
4	7	8	Tee Piece 3/8" BSP	900758
5	3	3	Female Adaptor 3/8" BSP	900768
6	2	2	Adaptor 3/4" BSP / 3/8" BSP	900393
7	2	2	Dowty Washer 3/4" BSP	900303
9	1	1	Hose Assembly (96" Hose)	141800
10	2	2	Elbow 3/8" BSP	900575
11	1	1	Tap	900766
12	5/6	6/7	Adaptor 3/8" BSP	900391
13	1	1	Hose Assembly (3" Hose)	151200
14	7/8	8/9	Dowty Washer 3/8" BSP	900301
15	1	1	Female Adaptor 3/8" BSP / 1/4" BSP	900760
16	1	1	Pressure Gauge	900765
17	1	1	Hose Assembly (9 1/2" Hose)	153600
18	1	1	Hose Assembly (18" Hose)	141300
19	1	1	Hose Assembly (23" Hose)	140300
20	1	1	Hose Assembly (4 1/2" Hose)	140500
21	1	2	Hose Assembly (30 1/2" Hose)	140400
22	4	-	Hose Assembly (35" Hose)	140000
22a*	4	5	Hose Assembly (37" Hose)	139900

* These hoses are fitted to Heavy Duty Ploughs with a 150 x 150mm Main Beam

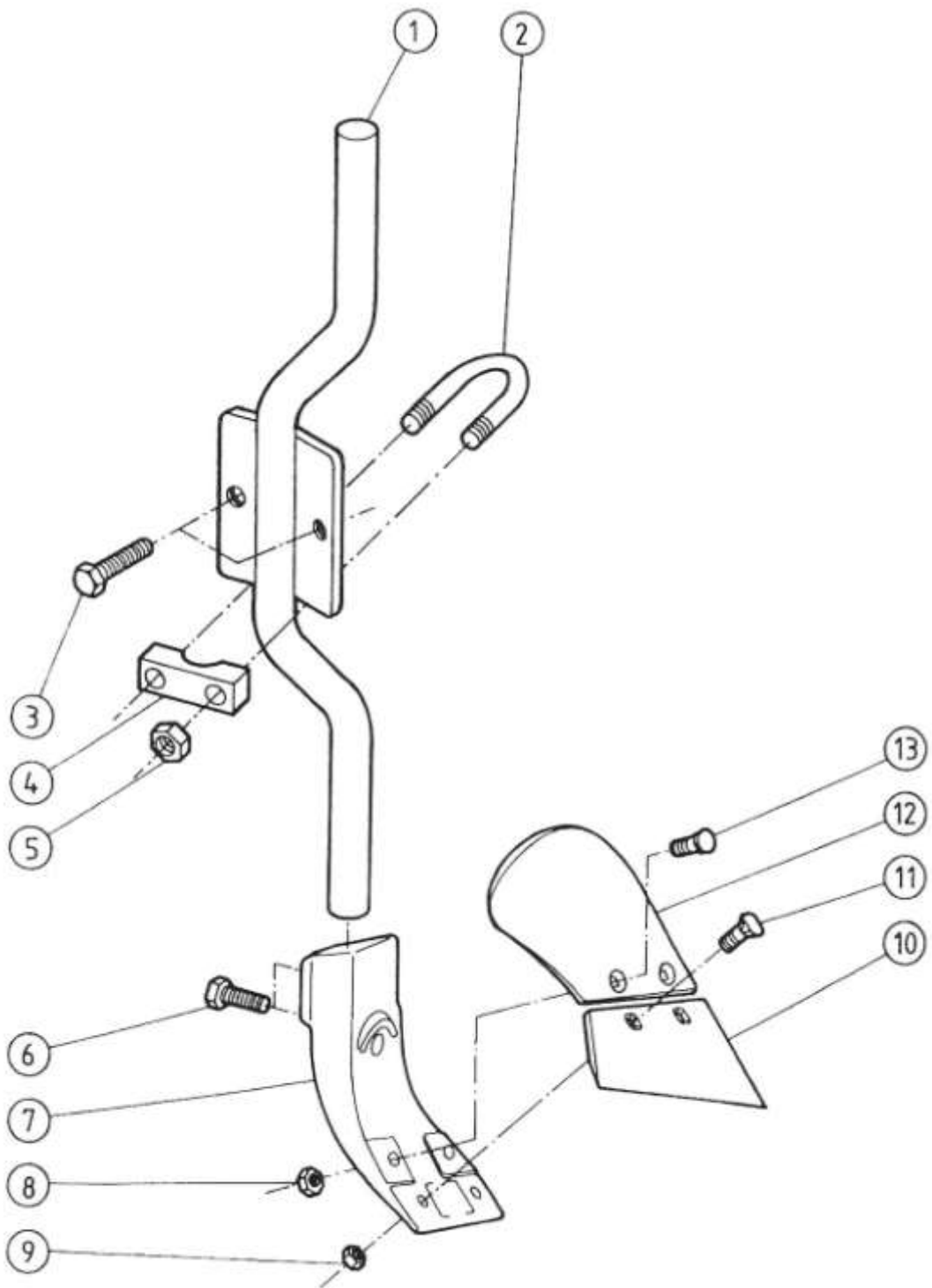
DEPTH CONTROL HYDRAULICS



DEPTH CONTROL HYDRAULICS

<u>ITEM</u>	<u>QTY</u>	<u>DESCRIPTION</u>	<u>PART NO</u>
1	1	End Cap	006600
2	1	Circlip	900261
3	1	Pistod Rod	018700
4	2	Grease Nipple	900433
5	1	TensioN Bush	900373
6	1	Single Acting Seal	900221
7	1	Plug	006500
8	1	'O' Ring	900203
9	1	Piston Annulus	006400
10	1	'O' Ring	900201
11	1	Double Acting Seal	900241
12	1	Piston	006300
13	1	Socket Setscrew 1/4" UNF	900151
14	1	Ram Tube	006800
15	1	Dowty Washer 3/8" BSP	900301
16	1	Adaptor 3/8" BSP	900391
17	1	Hose Assembly - To Suit Beam	-
18	1	Hose Assembly - To Suit Beam	-
19	1	Back-Up Ring	900801
-	-	Ram Seal Set (Items 2, 6, 8, 10 & 11)	052500
-	-	Ram Assembly (Items 1-14 incl.)	005900

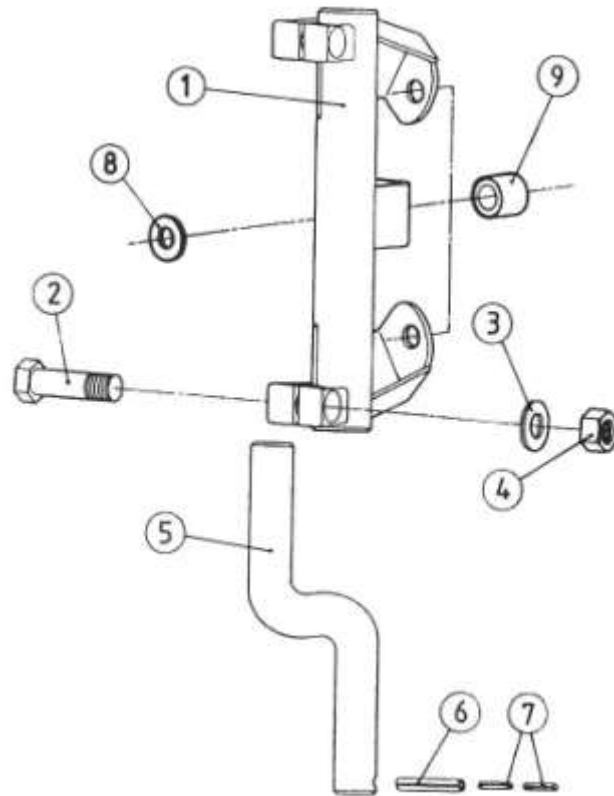
RESET SKIM



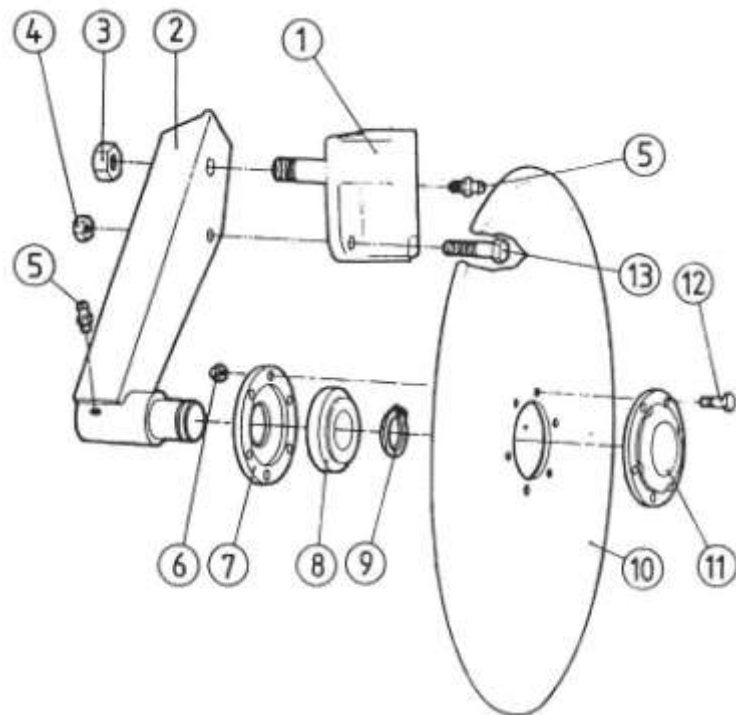
RESET SKIM

<u>ITEM</u>	<u>QTY</u>	<u>DESCRIPTION</u>	<u>PART NO</u>
1	1	Skim Shank	131900
-	-	Skim Shank High Clearance	289700
2	2	'U' Bolt	010700
3	2	Setscrew 5/8" UNC x 2 1/2"	900094
4	2	Clamp Block	010800
5	4	Nut 5/8" UNC	900496
6	2	Lockscrew	062700
7	1	Skim Frog ('J' Type) RH	048298
-	1	Skim Frog ('J' Type) LH	048299
8	4	Nut 3/8" UNF	900103
9	4	Nut 3/8" UNC	900498
10	1	Skim Point ('J' Type) RH	048098
-	1	Skim Point ('J' Type) LH	048099
11	4	Taper Head Bolt	900810
12	1	Skim Wing ('J' Type) RH	048198
-	1	Skim Wing ('J' Type) LH	048199
13	4	Countersunk Square Bolt	900141

DISC BRACKET



DISC ASSEMBLY



DISC BRACKET

<u>ITEM</u>	<u>QTY</u>	<u>DESCRIPTION</u>	<u>PART NO</u>
1	1	Disc Bracket	138000
2	2	Bolt 5/8" UNF x 2 1/2"	900043
3	2	Plain Washer	900172
4	2	Nut 5/8" UNF	900106
5	2	Stalk	137900
6	2	Spring Pin ø10 x 60	900542
7	4	Spring Pin ø6 x 30	900541
8	1	Plain Washer	900178
9*	3	Spacer	178200
10*	3	Bolt 3/4" UNF x 2 1/2"	900053
11*	3	Spring Washer 3/4"	900197

* Spring Reset Only

DISC ASSEMBLY

<u>ITEM</u>	<u>QTY</u>	<u>DESCRIPTION</u>	<u>PART NO</u>
1	1	Disc Arm Swivel RH	305698
-	1	Disc Arm Swivel LH	305699
2	As Req.	Disc Arm 18" RH	052998
-	As Req.	Disc Arm 18" LH	052999
2a	As Req.	Disc Arm 20" RH	063698
-	As Req.	Disc Arm 20" LH	063699
3	1	Nut 3/4" UNF	900107
4	1	Nut 1/2" UNF	900105
5	2	Grease Nipple	900431
6	6	Self Locking Nut 5/16" UNF	900114
7	1	Bearing Housing (Inner)	055000
8	1	Ball Bearing	900324
9	1	Circlip	900601
10	As Req.	Disc 18" Plain	052800
10a	As Req.	Disc 20" Plain	053000
10b	As Req.	Disc 18" Cutaway	063800
11	1	Bearing Housing (Outer)	054900
12	6	Bolt 5/16" UNF x 1 1/8"	900012
13	1	Shear Bolt	900483

Disc Assemblies (Comprising Items 2, 6, 7, 8, 9, 10, 11 & 12)

-	-	18" Plain RH	063998 /	LH 990639
-	-	20" Plain RH	081898 /	LH 081899
-	-	18" Cutaway RH	081998 /	LH 081999