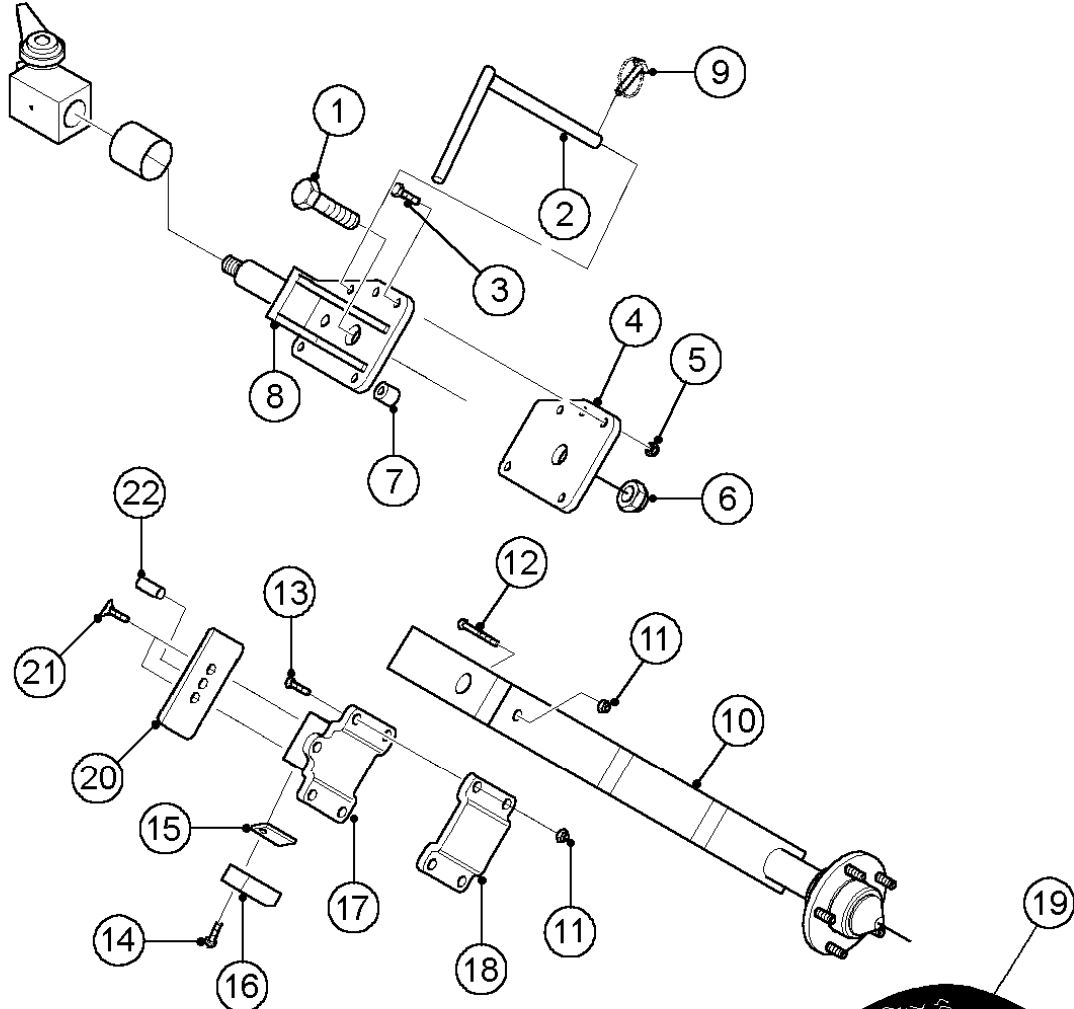
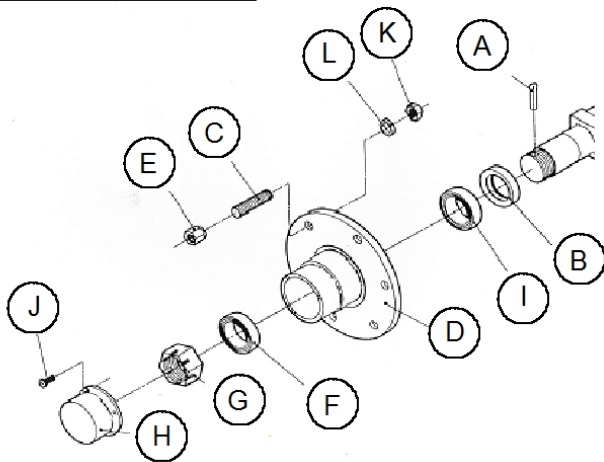


# WHEEL ARM ASSEMBLY DF 170 MA H/DUTY 15-17 WHEEL



## Hub Assembly



# WHEEL ARM ASSEMBLY

## DF 170 MA H/DUTY 15-17 WHEEL

ITEM	PART N°	DESCRIPTION	QTY
1	901141	Bolt M24 x 90	1
2	1484200	Wheel Transport Pin	1
3	901089	Bolt M16 x 90	3
4	1484800	Wheel Arm Clevis Plate	1
5	900784	Self Locking Nut M16	3
6	900786	Self Locking Nut M24	1
7	1484900	Clevis Spacer Boss	3
8	1483200	Wheel Pivot	2
9	900528	Lynch Pin	1
10	1594600	Wheel Arm (15-17 Wheel Assy)	1
11	900783	Self Locking Nut M12	5
12	901070	Bolt M12 x 60	1
13	901067	Bolt M12 x 45	4
14	903453	Socket Cap Screw M10 x 35	2
15	1485600	Depth Equalizing Strip	2
16	1483700	Depth Striker	2
17	1534100	Depth Striker Mounting (Suits 12/80 & 11.5/80)	
18	1483900	Depth Striker Clamp	1
19	064700	Wheel Assembly 15-17 (TYRE & RIM)	1
	900566	TYRE	
	900585	RIM	
20	1518100	Keep Plate	1
21	901199	Countersunk Socket Screw M12 x 35	2
22	1520600	Dowel Pin	1
A	901916	Spit Pin	1
B	278400	Dirt Seal	1
C	277600	Wheel Stud (early type) or	6
-	1613400	Wheel stud (splined)	
D	278300	Wheel Hub	1
E	900494	Wheel Nut	6
F	277700	Tapered Roller Bearing (small)	1
G	901221	Slotted Nut	1
H	278600	Hub Cap	1
I	278200	Taper Roller Bearing (Large)	3
J	278100	Hub cap Screw	3
K	277600	Lock Nut (early type)	6
L	900197	Spring Washer (early type)	6
-	900494	Nyloc Wheel nut (replaces K&L)	